

**THANK YOU FOR DOWNLOADING THIS MANUAL. I HOPE IT HELPS YOU RESOLVE ANY ISSUES YOU HAVE HAD WITH YOUR GAME.**

**THIS MANUAL WAS PURCHASED, AND SCANNED BY BASEMENT ARCADE ASSOCIATES, [WWW.BASEMENTARCADE.COM](http://WWW.BASEMENTARCADE.COM) AND IS OFFERED FOR FREE DOWNLOAD AT OUR SITE.**

**THIS PDF IS NOT TO BE DISTRIBUTED ON ANY COLLECTION CD / DVD, NOR IS TO BE LINKED TO VIA ANY OTHER INTERNET SITE WITHOUT PERMISSION FROM US. LIKEWISE IT IS NOT TO BE DISTRIBUTED FROM ANY OTHER SITE WITHOUT OUR PERMISSION.**

**ABIDING BY THESE REQUESTS, WILL INSURE THE CONTINUING SUPPORT OF NEW MANUALS ADDED TO OUR SITE.**

**ALL ORIGINAL COPYRIGHTS HELD BY THEIR ORIGINAL OWNERS, THIS PDF COPYRIGHTED BASEMENT ARCADE ASSOCIATES.**

**--MARK--**

*Midway's*

GAME NO. 568  
AUGUST, 1973

# SPORTSMAN

## PARTS CATALOG



MIDWAY MFG. CO.  
3750 RIVER ROAD  
SCHILLER PARK, ILLINOIS, 60176, U.S.A.

PHONE : (312) 678-1350

CABLE ADDRESS: MIDCO

**BASEMENT  
ARCADE  
CLASSICS**  
[www.basementarcade.com](http://www.basementarcade.com)

# TABLE OF CONTENTS

---

	Page No.
TROUBLE SHOOTING INFORMATION	1—2—3
TARGET ALIGNMENT	4
COUGAR TARGET ASSEMBLY	5—6
CROW ASSEMBLY	7—8
REAR DUCK ASSEMBLY	9—10
DIAGONAL DUCK ASSEMBLY	11—12
RIFLE ASSEMBLY	13—14
STYLUS ADJUSTMENT	15—16
SHOT UNIT	17—18
SCORE, CREDIT & CONTROL UNIT	19—20
STEP-UP UNIT	21—22
TAPE DECK	23—24
ADDITIONAL PARTS	25—26
NOTES	27—28
EQUIPMENT CHART	Inside Cover

SPORTSMAN  
TROUBLE SHOOTING TARGET OPERATION

COMPLAINT:

Ducks, crow, and cougar fail to move.

CHECK THE FOLLOWING:

1. MT-25 transformer and associated wiring.
2. 2 amp slow blow fuse (two).
3. Motor speed unit jack connection pin #8, #9, #11, #12, and #15.
4. Motor speed unit (PC 568-914).

COMPLAINT:

Cougar fails to operate.

CHECK THE FOLLOWING:

1. Cougar unit binding condition.
2. 12 VDC cougar motor and associated wiring (40-2236).
3. Motor speed unit jack connection pin #4 and #7.
4. Left cougar program relay switch adjustment (Green-White and Brown) or (Green-White and jumper).
5. Right cougar program relay switch adjustment (Green and jumper).
6. Open left or right cougar program relay coil (M 36-3300).
7. Left and right limit circuit wiper adjustment and associated wiring (PC 568-925).
8. Motor speed unit (PC 568-914).

COMPLAINT:

Rear duck fails to operate.

CHECK THE FOLLOWING:

1. Rear duck unit binding condition.
2. 12VDC rear duck motor and associated wiring (40-2237).
3. Motor speed unit jack connection pin #3 and #6.
4. Left rear duck program relay switch adjustment (White-Brown and Red-Black) or (White-Brown and jumper).

3750 N. RIVER ROAD

MIDWAY MFG. CO.

SCHILLER PARK, ILLINOIS

SPORTSMAN  
TROUBLE SHOOTING TARGET OPERATION

(Continued)

5. Right rear duck program relay switch adjustment (Green and jumper).
6. Open left or right rear duck program relay coil (M 36-3300).
7. Left and right limit circuit wiper adjustment and associated wiring (PC 568-915).
8. Motor speed unit (PC 568-914).

COMPLAINT:

Diagonal duck motor fails to operate.

CHECK THE FOLLOWING:

1. Diagonal duck unit binding condition.
2. 12VDC diagonal duck motor and associated wiring (40-2227).
3. Motor speed control unit jack connection pin #16 and #19.
4. Left diagonal duck program relay switch adjustment (Blue-Black and Red-Black) or Blue-Black and jumper).
5. Right diagonal duck program relay switch adjustment (Green and jumper).
6. Open left or right program relay coils (M 36-3300).
7. Left and right limit circuit wiper adjustment and associated wiring (PC 568-901).
8. Motor speed unit (PC 568-914).

COMPLAINT:

Crow fails to operate.

CHECK THE FOLLOWING:

1. Crow unit binding condition.
2. 12VDC crow motor and associated wiring (40-2228).
3. Motor speed unit jack connection pin #17 and #20.
4. Left crow program relay switch adjustment (Yellow-Black and Red-Black) or Yellow-Black and jumper).
5. Right crow program relay switch adjustment (Green and jumper).
6. Open left or right program relay coil (M 36-3300).
7. Left and right limit circuit wiper adjustment and associated wiring (PC 568-908).
8. Motor speed unit (PC 568-914).

SPORTSMAN  
TROUBLE SHOOTING TARGET OPERATION

COMPLAINT:

Cougar fails to reverse on hit.

CHECK THE FOLLOWING:

1. Cougar target assembly binding condition.
2. 12VDC cougar target motor and associated wiring (40-611).
3. Motor speed unit jack connection pin #1, #14 and #22.
4. Cougar hit relay switch adjustment (Brown-Black).
5. Left and right cougar program relay switch adjustment (Red-White or Brown-Black).
6. Motor speed unit (PC 568-914).

TROUBLE SHOOTING TIME DELAY RELAY OPERATION.

COMPLAINT:

Game timer fails to start with 8 to 10 second delay (operates with 1st shot).

CHECK THE FOLLOWING:

1. Time delay unit jack connections pin #8 and #9.
2. Trouble in time delay unit (PC 568-929).

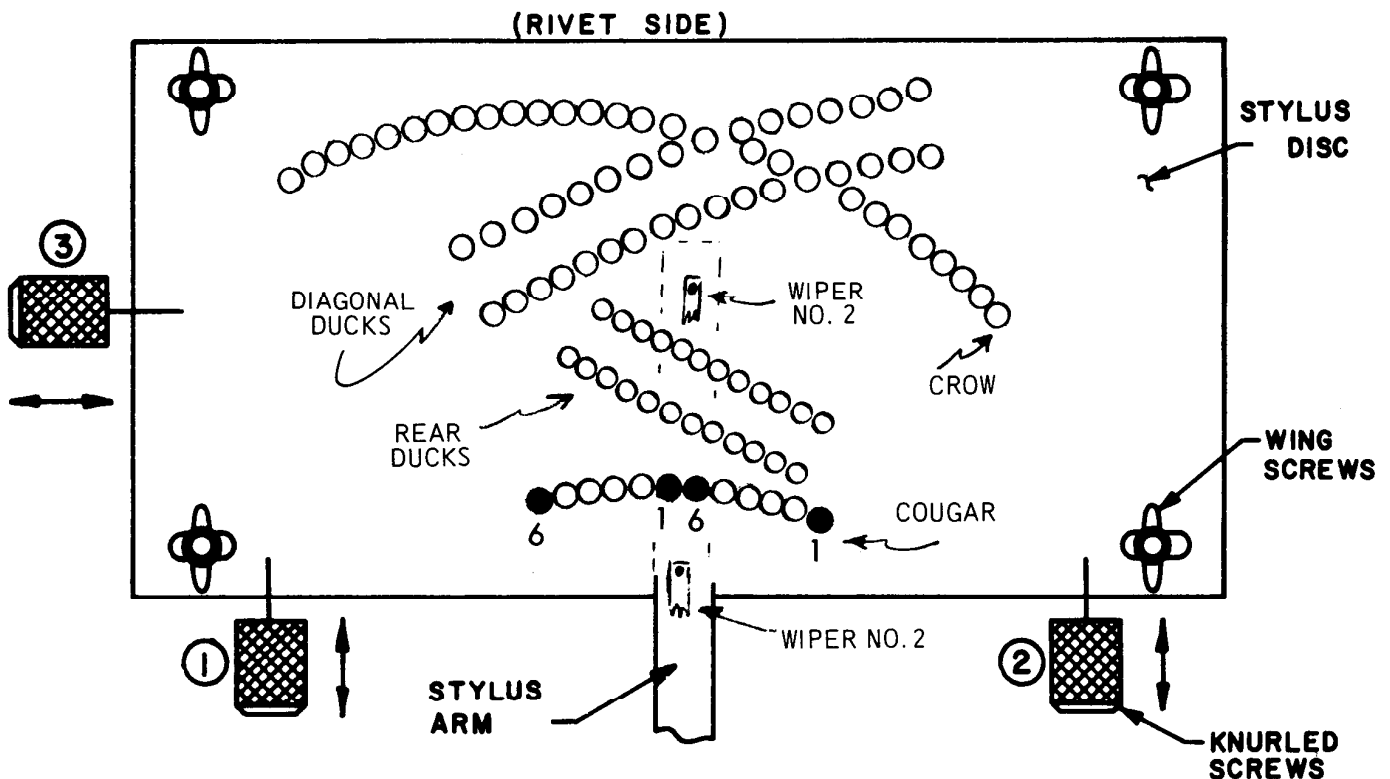
COMPLAINT:

Targets fail to program automatically via time delay unit.

CHECK THE FOLLOWING:

1. Program reset relay switch adjustment (Yellow-Brown and Brown-Blue, or Gray-White).
2. Time delay unit jack connections pins #1, #3, #4, #6, and #7.
3. Delay relay switch adjustment (Orange).
4. Open delay relay coil (M 35-3000 DC).
5. Defective time delay unit (PC 568-929).

## TARGET ALIGNMENT FOR SPORTSMAN



1. Loosen the four (4) wing screws slightly.
2. Swing cougar target to vertical center between segments 1 and 6 PC 568-525.
3. Sight gun on cougar.
4. The cougar stylus should be between rivets 1 and 6 of rifle disc.
5. For up and down adjustment, use knurled screws (1) & (2).
6. Side adjustment is made with knurled screw (3).
7. Swing cougar target over to segment 6 (far end).
8. Sight gun on cougar.
9. Cougar stylus should be on rivet 6. Use knurled screws (1), (2), and (3) for necessary adjustment.
10. Repeat above procedure for segment 1 (other end).
11. Tighten wing screws and check to see that disc is lightly lubricated.
12. Do not alter rifle disc adjustment for crow and ducks.
13. The crow and duck target panels are move in and out for height adjustment.
14. The crow and duck adjustment left and right should be done with wiper or disc movement.
15. Adjust crow and duck targets for proper lead.
16. Check out by operating game electrically.



NO. 568 SPORTSMAN – COUGAR TARGET ASSEMBLY

**PRICE LIST**

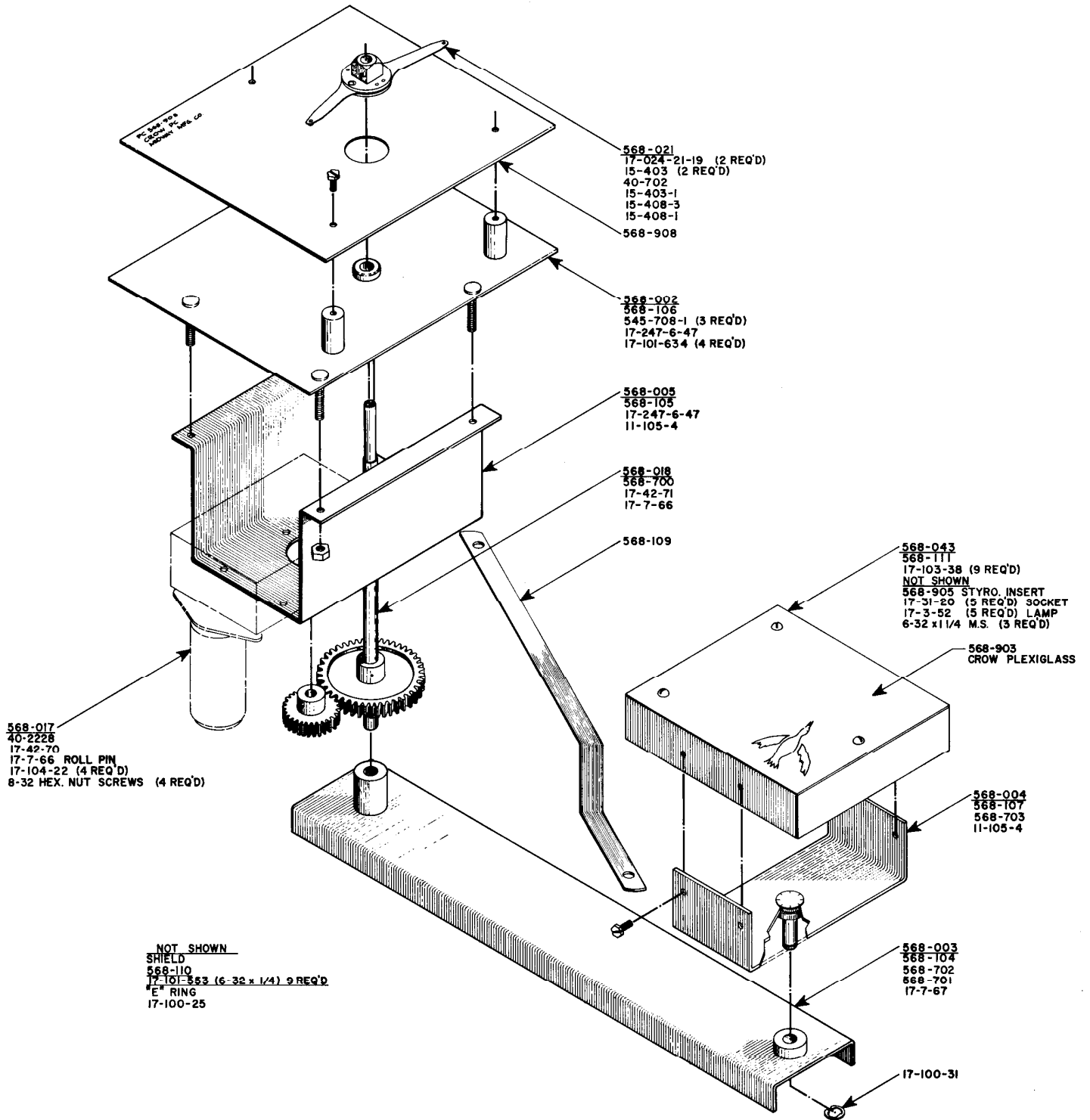
**ARRANGED IN NUMERICAL ORDER**

PART NO.	DESCRIPTION	PRICE
10-215	SPRING	.12 EA.
17-7-78	PIN ROLL 1/8" X 13/16"	.10 EA.
17-42-75	BEARING (NYLINER)	.10 EA.
17-72-52	RIVET 1/8" X 1/8" (2 REQUIRED)	.10 EA.
17-100-25	"E" RING (2 REQUIRED)	.60 DZ.
17-101-325	SCREW 10-32 X 1/4" HEX HD. NYLON (2 Req'd.)	.12 EA.
17-104-37	WASHER 3/4" O.D. X .145 I.D. X 1/16"	.08 EA.
17-231-6-08	BEARING	.25 EA.
40-2236	MOTOR	22.00 EA.
549-017	WIPER ASSEMBLY (2 REQUIRED)	.50 EA.
549-131	WEIGHT (7 REQUIRED)	.40 EA.
568-024	MOTOR ASSEMBLY	2.25 EA.
568-025	BASE PLATE ASSEMBLY	3.90 EA.
568-026	PINION ASSEMBLY – 1ST. STAGE	2.25 EA.
568-027	PINION ASSEMBLY – 2ND STAGE	2.25 EA.
568-028	OUTPUT GEAR ASSEMBLY	3.50 EA.
568-029	BOTTOM HOUSING SUB. ASSEMBLY	4.00 EA.
568-030	MOTOR BRACKET ASSEMBLY	2.00 EA.
568-031	HUB ASSEMBLY	3.30 EA.
568-032	COUNTER BALANCE ASSEMBLY	4.50 EA.
568-033	COUGAR TARGET ASSEMBLY	3.50 EA.
568-047	DRIVE ARM SUB. ASSEMBLY	4.00 EA.
568-129	BASE PLATE – COUNTER BALANCE	1.00 EA.
568-144	COVER PLATE – GEAR UNIT	1.50 EA.
568-161	GUIDE BRACKET	.55 EA.
568-164	SUPPORT BRACKET	.40 EA.
568-709	PINION MOTOR, 64P, 10T, 20°PA	.60 EA.
568-716	SUPPORT – TARGET	.40 EA.
568-717	ROD – TENSION	.40 EA.
568-909	COUGAR (LEFT & RIGHT)	1.60 SET
568-925	PRINTED CIRCUIT	4.50 EA.

**MIDWAY MFG. CO.**

**BASEMENT  
ARCADE  
CLASSICS**

NO. 568 SPORTSMAN CROW ASSEMBLY



568-021  
17-024-21-19 (2 REQ'D)  
15-403 (2 REQ'D)  
40-702  
15-403-1  
15-408-3  
15-408-1  
568-908

568-902  
568-106  
545-708-1 (3 REQ'D)  
17-247-6-47  
17-101-634 (4 REQ'D)

568-005  
568-105  
17-247-6-47  
11-105-4

568-018  
568-700  
17-42-71  
17-7-66

568-109

568-043  
568-111  
17-103-38 (9 REQ'D)  
NOT SHOWN  
568-905 STYRO. INSERT  
17-31-20 (5 REQ'D) SOCKET  
17-3-52 (5 REQ'D) LAMP  
6-32 x 1 1/4 M.S. (3 REQ'D)

568-903  
CROW PLEXIGLASS

568-017  
40-2228  
17-42-70  
17-7-66 ROLL PIN  
17-104-22 (4 REQ'D)  
8-32 HEX. NUT SCREWS (4 REQ'D)

568-004  
568-107  
568-703  
11-105-4

NOT SHOWN  
SHIELD  
568-110  
17-101-553 (6-32 x 1/4) 9 REQ'D  
E RING  
17-100-25

568-003  
568-104  
568-702  
568-701  
17-7-67

17-100-31

MIDWAY MFG. CO.

NO. 568 SPORTSMAN – CROW ASSEMBLY

**PRICE LIST**

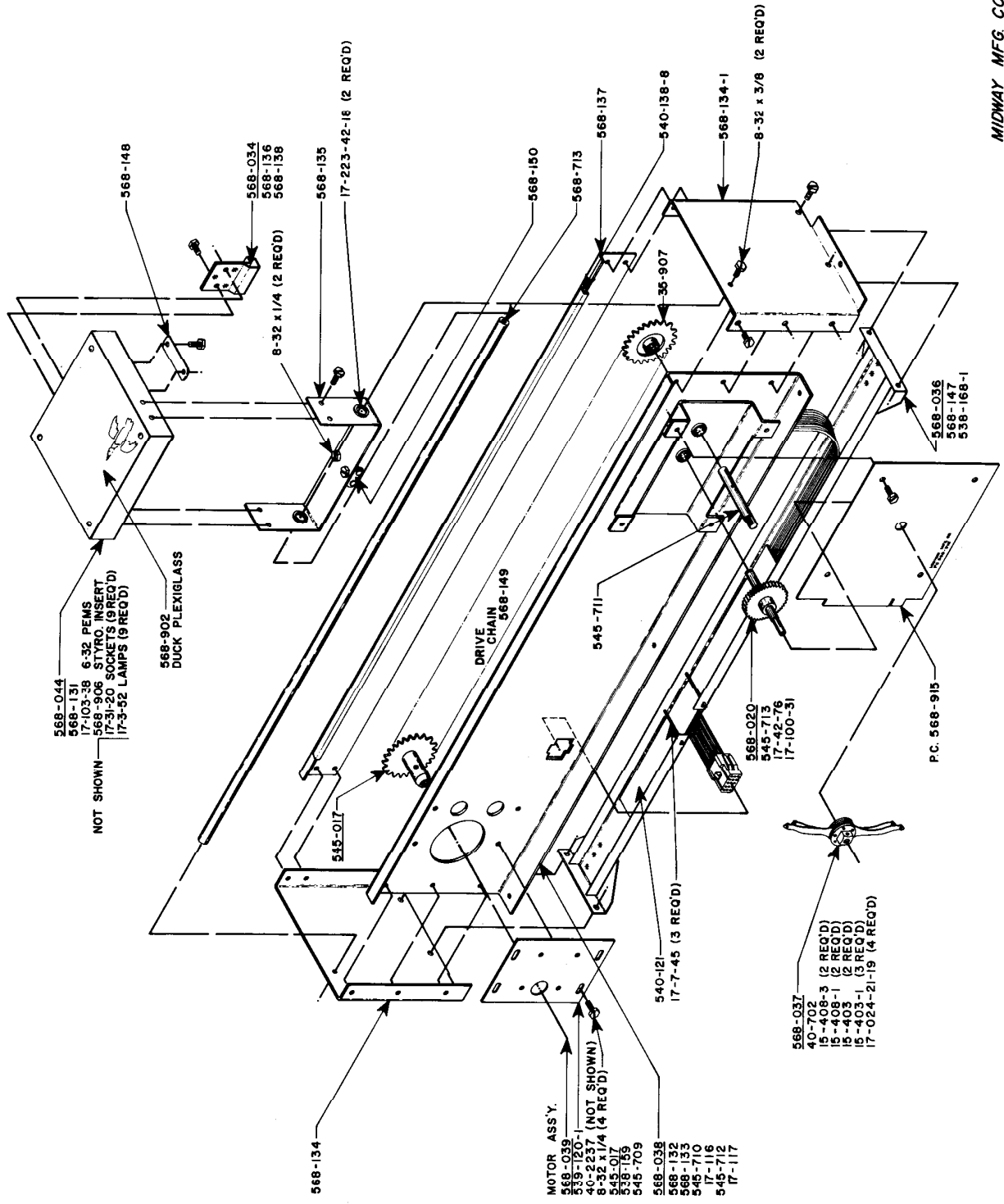
**ARRANGED IN NUMERICAL ORDER**

PART NO.	DESCRIPTION	PRICE
15-403	STEEL WASHER (2 REQUIRED)	.12 EA.
15-403-1	FIBRE WASHER (2 REQUIRED)	.10 EA.
15-408-1	WIPER BALDE	.20 EA.
15-408-3	WIPER BLADE	.20 EA.
17-3-52	LAMP (5 REQUIRED)	.20 EA.
17-7-66	ROLL PIN 3/32" X 5/8"	.10 EA.
17-7-67	ROLL PIN	.10 EA.
17-31-20	SOCKETS (5 REQUIRED)	.20 EA.
17-42-70	GEAR (24 TOOTH)	.40 EA.
17-42-71	GEAR (48 TOOTH)	1.20 EA.
17-100-25	"E" RING	.60 DZ.
17-100-31	"E" RING	.60 DZ.
17-101-553	6-32 X 1/4" SCREWS (9 REQUIRED)	.60 DZ.
17-104-22	FL. WASHER	.10 EA.
40-2228	MOTOR 12V D.C.	21.00 EA.
568-002	P. C. PLATE ASSEMBLY	3.20 EA.
568-003	ARM & BUSHING SUB. ASSEMBLY	2.20 EA.
568-004	YOKE & PIN SUB. ASSEMBLY	1.20 EA.
568-005	MOTOR BRACKET SUB. ASSEMBLY	2.70 EA.
568-017	MOTOR & GEAR ASSEMBLY	22.50 EA.
568-018	SHAFT & GEAR SUB. ASSEMBLY	2.30 EA.
568-021	WIPER ASSEMBLY	3.20 EA.
568-043	CROW BOX ASSEMBLY	4.60 EA.
568-104	ARM	1.10 EA.
568-109	LINK OFFSET	.60 EA.
568-110	SHIELD	.60 EA.
568-700	SHAFT	1.20 EA.
568-903	CROW PLEX.	5.60 EA.
568-905	STYRO INSERT	1.20 EA.
568-908	P. C. CROW	5.40 EA.

**MIDWAY MFG. CO.**

**BASEMENT  
ARCADE  
CLASSICS**

**NO. 568 SPORTSMAN - REAR DUCK ASSEMBLY**



568-044  
568-131  
17-103-38  
568-906 STYRO. INSERT  
17-51-20 SOCKETS (9 REQ'D)  
17-5-52 LAMPS (9 REQ'D)

NOT SHOWN

568-902  
DUCK PLEXIGLASS

568-034  
568-136  
568-156

8-32 x 1/4 (2 REQ'D)

568-148

568-135

17-223-42-16 (2 REQ'D)

DRIVE CHAIN  
568-149

MOTOR ASS'Y.  
568-039  
568-120  
40-2237 (NOT SHOWN)  
8-32 x 1/4 (4 REQ'D)  
545-017  
538-155  
545-709

540-138-8

568-137

568-134-1

8-32 x 3/8 (2 REQ'D)

35-907

545-711

568-020  
545-715  
17-42-76  
17-100-31

568-036  
568-147  
538-168-1

PC. 568-915

568-037  
40-702  
15-408-3 (2 REQ'D)  
15-408-1 (2 REQ'D)  
15-403 (2 REQ'D)  
15-403-1 (3 REQ'D)  
17-024-21-19 (4 REQ'D)

568-134

545-017

540-121  
17-7-45 (3 REQ'D)

NO. 568 SPORTSMAN – REAR DUCK ASSEMBLY

**PRICE LIST**

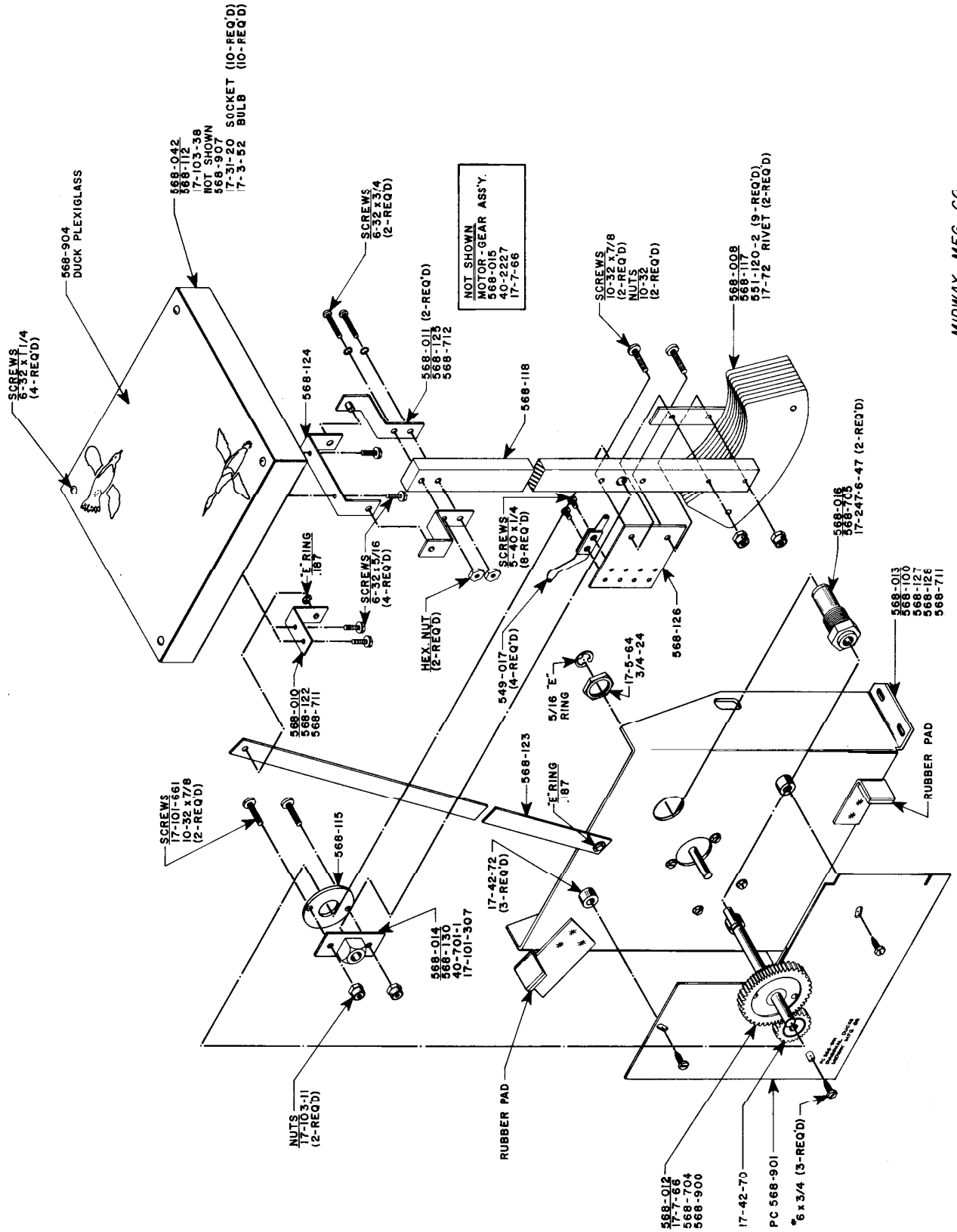
**ARRANGED IN NUMERICAL ORDER**

PART NO.	DESCRIPTION	PRICE
17-3-52	No. 1895 LAMP (9 REQUIRED)	.20 EA.
17-7-45	COTTER PIN (3 REQUIRED)	.70 DZ.
17-31-20	SOCKET (9 REQUIRED)	.20 EA.
17-42-76	GEAR 32P, 72T	1.00 EA.
17-024-21-19	CONTACT (4 REQUIRED)	.10 EA.
17-100-31	"E" RING 5/16"	.60 DZ.
17-116	BEARING	.70 EA.
17-117	BEARING	.80 EA.
17-223-42-18	NYLINER (2 REQUIRED)	.10 EA.
35-907	SPROCKET	.80 EA.
40-2237	MOTOR D.C., 110 R.P.M.	21.00 EA.
540-121	COVER – CABLE	.20 EA.
540-138-8	CABLE – PROTECTOR	1.60 EA.
545-017	BUSHING & SPROCKET	2.50 EA.
545-711	PINION SHAFT	1.40 EA.
545-713	SHAFT	.30 EA.
568-020	SHAFT & GEAR SUB. ASSEMBLY	2.80 EA.
568-034	GLIDE BRACKET SUB. ASSEMBLY	1.00 EA.
568-036	CABLE CHANNEL ASSEMBLY	2.00 EA.
568-037	WIPER ASSEMBLY	3.40 EA.
568-038	MAIN BRACKET SUB. ASSEMBLY	13.40 EA.
568-039	MOTOR ASSEMBLY	22.00 EA.
568-044	ASSEMBLY BOX (COMPLETE W/PLEX.)	21.50 EA.
568-134	SIDE BRACKET R.H.	1.00 EA.
568-134-1	SIDE BRACKET L.H.	1.00 EA.
568-135	CHAIN – BRACKET	.40 EA.
568-137	SUPPORT BRACKET	1.00 EA.
568-148	CLAMP – CABLE	.50 EA.
568-149	DRIVE CHAIN	2.80 EA.
568-150	LINK – CHAIN	.50 EA.
568-713	RUNNER BAR	2.90 EA.
568-902	REAR DUCK PLEXIGLASS	6.50 EA.
568-906	REAR DUCK INSERT (STYRO.)	1.20 EA.
568-915	P. C. REAR DUCKS	8.00 EA.

**MIDWAY MFG. CO.**

**BASEMENT  
ARCADE  
CLASSICS**

NO. 568 DIAGONAL DUCK ASSEMBLY



MIDWAY MFG. CO.

BASEMENT  
ARCADE

NO. 568 SPORTSMAN – DIAGONAL DUCK ASSEMBLY

**PRICE LIST**

**ARRANGED IN NUMERICAL ORDER**

PART NO.	DESCRIPTION	PRICE
17-3-52	BULB (10 REQUIRED)	.20 EA.
17-7-66	ROLL PIN 3/32" DIA. X 5/8" LG. (2 REQ'D.)	.06 EA.
17-31-20	SOCKET (10 REQUIRED)	.20 EA.
17-42-70	GEAR 24P, 24T	.40 EA.
17-42-72	PLASTI – GROMMET (FASTEX)	.16 EA.
17-72-53	STEEL OVAL HEAD RIVET 1/8" X 1-1/4"	.06 EA.
17-103-38	PEMS NUT No. 6-32 (9 REQUIRED)	.10 EA.
17-247-6-47	FLANGE BEARING 5/16" X 3/8" (2 REQ'D.)	.40 EA.
40-2227	D. C. MOTOR (MULTI)	21.00 EA.
549-017	WIPER ASSEMBLY	.50 EA.
551-120-2	WEIGHT (9 REQUIRED)	.70 EA.
568-008	WEIGHT WELDING RIVET ASSEMBLY	7.75 EA.
568-010	BRACKET, LINK ASSEMBLY	.60 EA.
568-011	SUPPORT ARM ASSEMBLY	.60 EA.
568-012	SHAFT & GEAR ASSEMBLY	1.60 EA.
568-013	SUPPORT FRAME ASSEMBLY	5.50 EA.
568-014	HUB & PLATE ASSEMBLY	.90 EA.
568-015	MOTOR – GEAR ASSEMBLY	22.00 EA.
568-016	BEARING ASSEMBLY	3.00 EA.
568-042	ALUMINUM BOX ASSEMBLY	7.00 EA.
568-115	SPACER, GEAR	.30 EA.
568-117	PLATE, WEIGHT ATTACHING	1.00 EA.
568-118	ARM, LIGHT BOX	6.00 EA.
568-122	BRACKET, LINK CONNECTING	.60 EA.
568-123	LINK	.40 EA.
568-124	PIVOT BRACKET	.30 EA.
568-125	SUPPORT ARM	.50 EA.
568-126	PLATE, CONTACT BLADE	.50 EA.
568-704	SHAFT	.40 EA.
568-705	BUSHING, BEARING	1.80 EA.
568-900	GEAR	.70 EA.
568-901	P. C. DUCKS	5.80 EA.
568-904	TOP PLATE W/ART WORK	7.00 EA.
568-907	INSERT	1.20 EA.

**MIDWAY MFG. CO.**

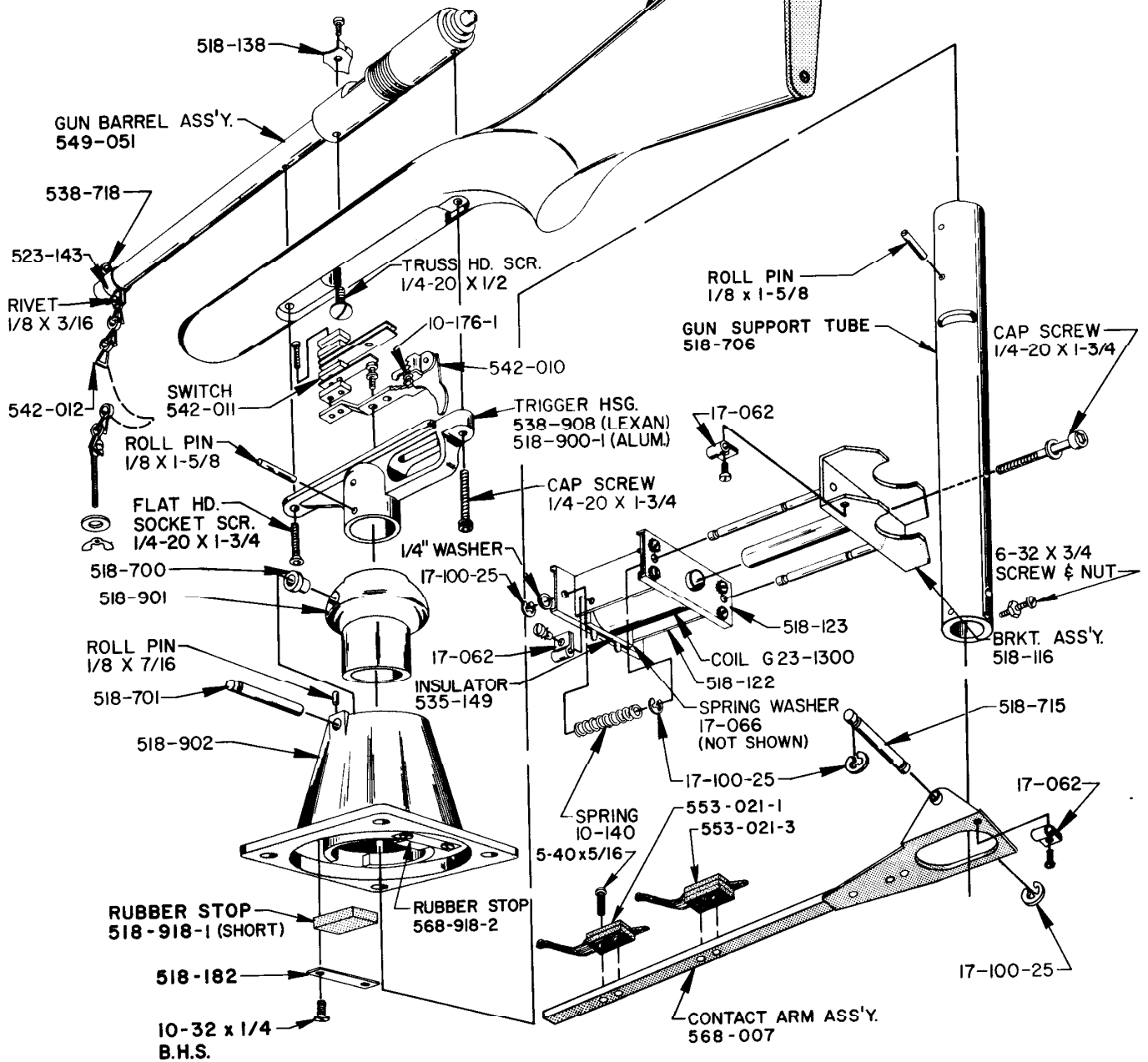
**BASEMENT  
ARCADE  
CLASSICS**

# NO. 568 SPORTSMAN - RIFLE ASS'Y.

COMPLETE RIFLE ASS'Y.  
549-040 (INCLUDES: BARREL,  
STOCK, SWITCH, CHAIN,  
TRIGGER & TRIGGER HSG.)  
CAN BE USED FOR  
REPLACEMENT ON MOST  
MIDWAY GUN GAMES.

WOOD GUN STOCK ASS'Y.  
542-009

RECOIL PAD (ONLY)  
539-919



MIDWAY MFG CO.

NO. 568 SPORTSMAN – RIFLE ASSEMBLY

**PRICE LIST**

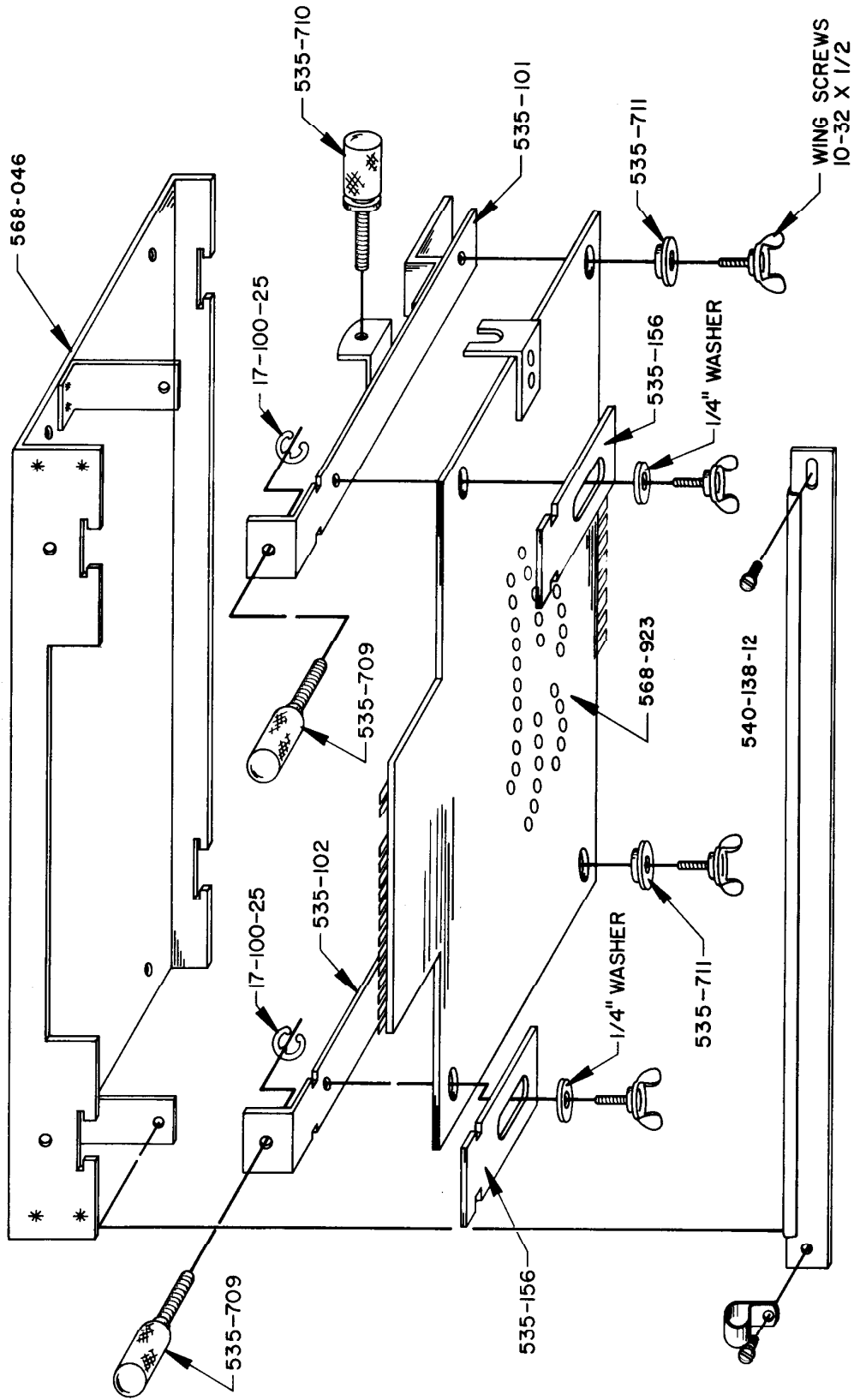
**ARRANGED IN NUMERICAL ORDER**

PART NO.	DESCRIPTION	PRICE
10-140	SPRING	.20 EA.
10-176-1	SPRING – TRIGGER	.10 EA.
17-062-42-01	1/8" PLASTIC CLAMP	.60 DZ.
17-066-104-63	SPRING WASHER	.60 DZ.
17-100-25	"E" RING (1/4")	.60 DZ.
G23-1300	COIL	4.40 EA.
518-116	PIPE BRACKET ASSEMBLY	3.50 EA.
518-122	SOLENOID BRACKET ASSEMBLY	3.30 EA.
518-123	END PLATE	.40 EA.
518-138	REAR GUN SIGHT	.40 EA.
518-182	RETAINER – STOP (2 REQUIRED)	.30 EA.
518-700	THRUST BUSHING	.60 EA.
518-701	PIVOT SHAFT	.50 EA.
518-706	SUN SUPPORT TUBE	12.80 EA.
518-715	CONTACT ARM PIN	.40 EA.
518-900-1	TRIGGER HOUSING (ALUMINUM)	13.00 EA.
518-901	PIVOT HOUSING	9.50 EA.
518-902	GUN MOUNT	18.00 EA.
518-918-1	RUBBER STOP (SHORT)	.55 EA.
518-918-2	RUBBER STOP (LONG)	.55 EA.
523-143	CHAIN BRACKET	.50 EA.
535-149	INSULATOR – COIL	.12 EA.
538-718	FRONT GUN SIGHT	.90 EA.
538-908	TRIGGER HOUSING (LEXAN)	3.50 EA.
539-919	RECOIL PAD (ONLY)	.60 EA.
542-009	WOOD GUN STOCK ASSEMBLY	36.00 EA.
542-010	TRIGGER ASSEMBLY	1.40 EA.
542-011	TRIGGER SWITCH ASSEMBLY	.60 EA.
542-012	CHAIN & BOLT ASSEMBLY	1.40 EA.
549-040	COMPLETE RIFLE ASSEMBLY	50.00 EA.
549-051	GUN BARREL ASSEMBLY	14.20 EA.
553-021-1	WIPER	.50 EA.
553-021-3	WIPER	.50 EA.
568-007	CONTACT ARM ASSEMBLY	4.50 EA.

**MIDWAY MFG. CO.**

**BASEMENT  
ARCADE  
CLASSICS**

NO. 568 SPORTSMAN - STYLUS ADJUSTMENT



MIDWAY MFG. CO.

**BASAMENT  
ARCADE  
CLASSICS**

NO. 568 SPORTSMAN – STYLUS ADJUSTMENT

**PRICE LIST**

**ARRANGED IN NUMERICAL ORDER**

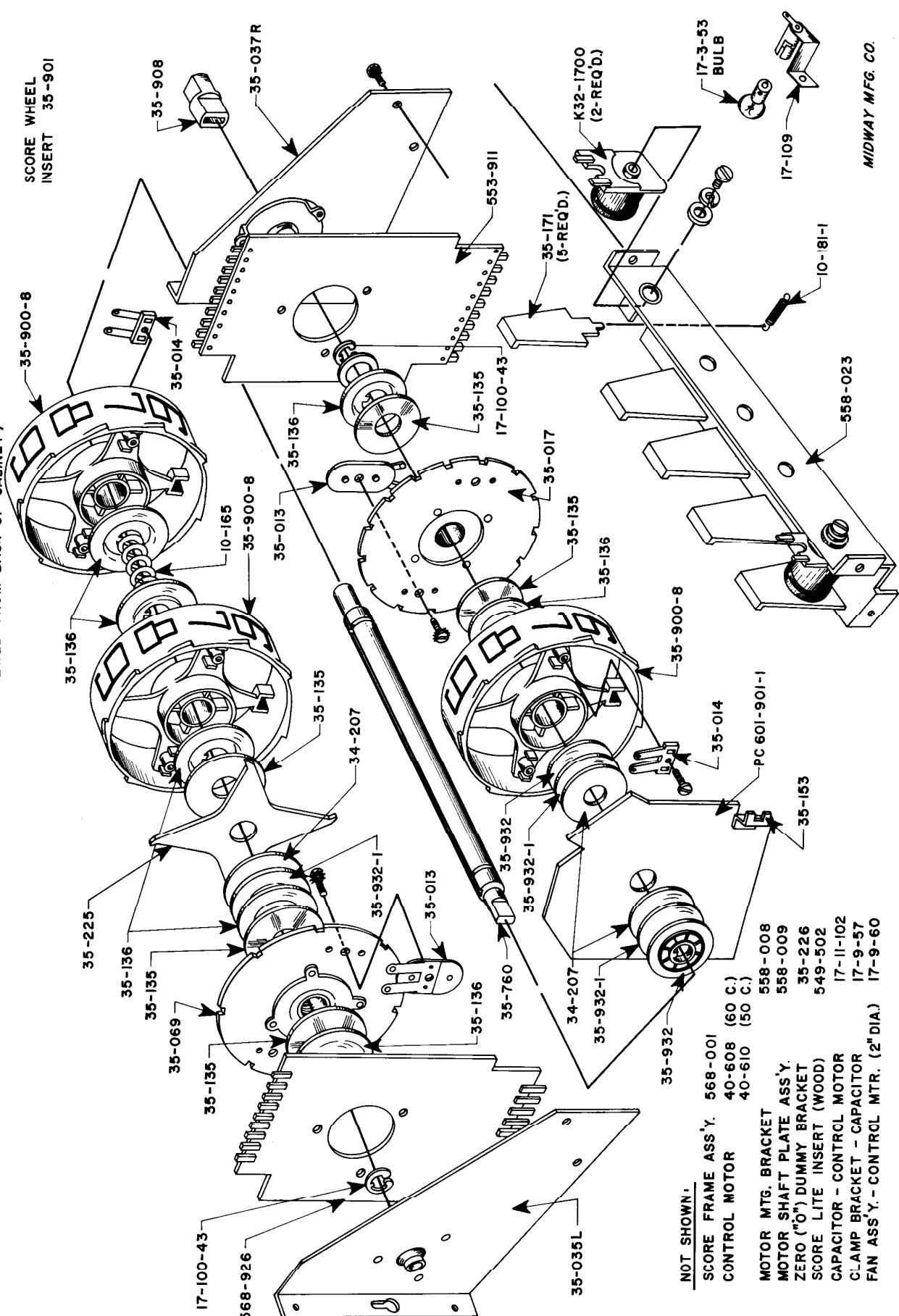
PART NO.	DESCRIPTION	PRICE
17-100-25	1/4" "E" RING (2 REQUIRED)	.10 EA.
535-101	CROSS BAR ASSEMBLY R.H.	2.00 EA.
535-102	CROSS BAR ASSEMBLY L.H.	1.60 EA.
535-156	LOCK PLATE (2 REQUIRED)	.45 EA.
535-709	VERTICAL ADJ. KNOB (2 REQUIRED)	.70 EA.
535-710	HORIZONTAL ADJ. KNOB	.70 EA.
535-711	SHOULDER BUSHING (2 REQUIRED)	.20 EA.
540-138-12	WEAR STRIP	1.40 EA.
568-046	STYLUS MOUNTING BRACKET ASSEMBLY	4.50 EA.
568-157	SUPPORT	.60 EA.
568-923	P. C. BLANK	23.00 EA.

**MIDWAY MFG. CO.**

**BASEMENT  
ARCADE  
CLASSICS**

# NO. 568 SPORTSMAN - SHOT UNIT

(LEFT HAND SIDE OF SCORE PACKAGE - VIEWED FROM BACK OF CABINET)



**NOT SHOWN:**

- SCORE FRAME ASS'Y. 568-001
- CONTROL MOTOR 40-608 (60 C.)
- 40-610 (50 C.)
- MOTOR MTG. BRACKET 558-008
- MOTOR SHAFT PLATE ASS'Y. 558-009
- ZERO ("0") DUMMY BRACKET 35-226
- SCORE LITE INSERT (WOOD) 549-502
- CAPACITOR - CONTROL MOTOR 17-11-102
- CLAMP BRACKET - CAPACITOR 17-9-57
- FAN ASS'Y. - CONTROL MTR. (2" DIA.) 17-9-60

SCORE WHEEL  
INSERT 35-901

17-3-53  
BULB

MIDWAY MFG. CO.

NO. 568 SPORTSMAN – SHOT UNIT

**PRICE LIST**

**ARRANGED IN NUMERICAL ORDER**

PART NO.	DESCRIPTION	PRICE
10-165	SPRING	.60 DZ.
10-181-1	SPRING – RELAY (5 REQUIRED)	.10 EA.
17-3-53	BULB	.20 EA.
17-9-57	CLAMP BRACKET – CAPACITOR	.20 EA.
17-9-60	FAN BLADE ASSEMBLY (2" DIA.)	.80 EA.
17-11-102	CAPACITOR – CONTROL MOTOR	6.00 EA.
17-100-43	"E" RING (7/16")	.60 DZ.
17-109-31-09	SOCKET – LAMP	.20 EA.
K32-1700	COIL	1.50 EA.
34-207	WASHER – TEFLON	.12 EA.
35-013	WIPER FINGER & MOUNTING PAD ASS'Y.	1.00 EA.
35-014	WIPER FINGER & MOUNTING PAD ASS'Y.	1.00 EA.
35-017	20 NOTCH CAM & CLUTCH PLATE ASS'Y.	2.50 EA.
35-035L	END BEARING PLATE ASSEMBLY (LEFT)	1.60 EA.
35-037R	END BEARING PLATE ASSEMBLY (RIGHT)	1.50 EA.
35-069	6 NOTCH CAM & CLUTCH PLATE ASS'Y.	2.20 EA.
35-135	WASH – LEATHER (6 REQUIRED)	.15 EA.
35-136	WASHER – DISHED (8 REQUIRED)	.15 EA.
35-153	CIRCUIT BOARD LOCATOR	.30 EA.
35-171	ARMATURE (2 REQUIRED)	.30 EA.
35-225	TIMING ARM	.60 EA.
35-226	ZERO ("0") DUMMY BRACKET	1.00 EA.
35-760	DRIVE SHAFT	3.50 EA.
35-900-8	SCORE WHEEL (0-9) (3 REQUIRED)	1.00 EA.
35-901	INSERT – SCORE WHEEL	.20 EA.
35-908	COUPLING	.20 EA.
35-932	WASHER – NYLON (2 REQUIRED)	.20 EA.
35-932-1	WASHER – NYLON (2 REQUIRED)	.20 EA.
40-608	CONTROL MOTOR (60C., 40 R.P.M.) Domestic	30.00 EA.
40-610	CONTROL MOTOR (50C., 40 R.P.M.) Foreign	50.00 EA.
549-502	SCORE LITE INSERT (WOOD)	6.00 EA.
553-911	TOP SCORE RIVETED DISC.	8.50 EA.
558-008	MOTOR MOUNTING BRACKET	1.20 EA.
558-009	MOTOR SHAFT PLATE ASSEMBLY	1.20 EA.
558-023	COIL MOUNTING FRAME & EYELET ASS'Y.	1.80 EA.
568-001	MOUNTING FRAME ASSEMBLY (SCORE)	9.00 EA.
568-926	SHOT UNIT P. C. BOARD	8.00 EA.
601-901-1	TIME P. C.	5.50 EA.

**MIDWAY MFG. CO.**

**BASEMENT  
ARCADE  
CLASSICS**



**PRICE LIST****ARRANGED IN NUMERICAL ORDER**

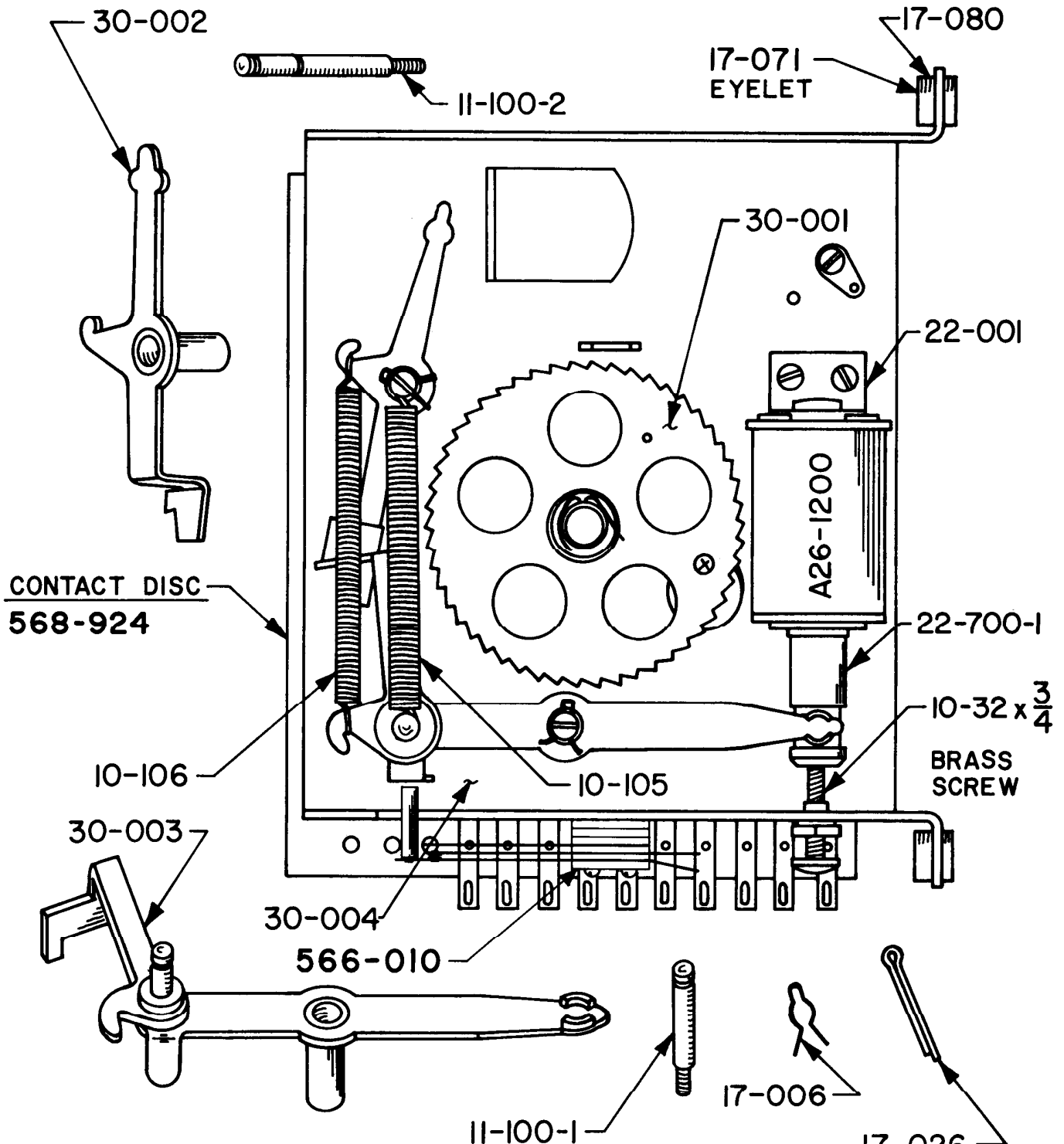
<b>PART NO.</b>	<b>DESCRIPTION</b>	<b>PRICE</b>
10-165	SPRING	.60 DZ.
10-181-1	SPRING – RELAY (4 REQUIRED)	.10 EA.
17-100-43	“E” RING (2 REQUIRED) 7/16”	.60 DZ.
20-203-2	GUARD STRIP	.15 EA.
K32-1700	COIL (3 REQUIRED)	1.50 EA.
34-207	WASHER TEFLON (2 REQUIRED)	.12 EA.
34-723-3	POST – WHEEL	.20 EA.
35-013	WIPER FINGER & MOUNTING PAD ASS'Y.	1.00 EA.
35-014	WIPER SUB. ASSEMBLY	1.00 EA.
35-023	SWITCH ZERO CREDIT	.60 EA.
35-027	COIL BRACKET SUB. ASSEMBLY	2.80 EA.
35-037R	END BEARING PLATE SUB. ASSEMBLY	1.50 EA.
35-037-1L	END BEARING PLATE SUB. ASSEMBLY	1.50 EA.
35-064	SCORE WHEEL SUB. ASSEMBLY	1.40 EA.
35-065	WHEEL (1-19)	1.75 EA.
35-135	WASHER – LEATHER (2 REQUIRED)	.15 EA.
35-136	WASHER – DISHED 1/16”	.15 EA.
35-136-1	WASHER – DISHED 3/32” (2 REQUIRED)	.20 EA.
35-153	CIRCUIT BOARD LOCATOR	.30 EA.
35-171	ARMATURE (4 REQUIRED)	.30 EA.
35-217	CAM (20 NOTCH) WHEEL	1.20 EA.
35-746	DRIVE SHAFT (R.H.)	2.80 EA.
35-900-8	SCORE WHEEL (0-9) (2 REQUIRED)	1.00 EA.
35-908	COUPLING	.20 EA.
35-932	WASHER NYLON (4 REQUIRED)	.20 EA.
35-932-1	WASHER NYLON (2 REQUIRED)	.20 EA.
35-957	1 NOTCH CAM	1.00 EA.
544-146	CABLE CLAMP BRACKET (2 REQUIRED)	.10 EA.
568-922	SCORE UNIT P. C.	5.00 EA.
568-927	CONTROL UNIT P. C.	5.00 EA.

**MIDWAY MFG. CO.****BASEMENT  
ARCADE  
CLASSICS**

# NO. 568- SPORTSMAN - STEP-UP UNIT

WIPER FINGERS (NOT SHOWN)

568-045  
5 FINGER WIPER



NO. 568 SPORTSMAN – STEP-UP UNIT

**PRICE LIST**

**ARRANGED IN NUMERICAL ORDER**

PART NO.	DESCRIPTION	PRICE
10-105	DRIVE SPRING	.10 EA.
10-106	DRIVE SPRING	.15 EA.
11-100-1	POST – PIVOT	.20 EA.
11-100-2	POST – PIVOT	.20 EA.
17-006-7-17	3/16" HAIR PIN	.60 DZ.
17-026-7-42	COTTER PIN	.60 DZ.
17-071-71-14	EYELET	.10 EA.
17-080-41-13	RUBBER GROMMET	.10 EA.
22-700-1	PLUNGER – DRIVE	.60 EA.
30-001	RATCHET & SHAFT ASSEMBLY	2.00 EA.
30-002	RESET PAWL ASSEMBLY	1.00 EA.
30-003	DRIVE ARM & PAWL ASSEMBLY	1.60 EA.
30-004	STEP-UP UNIT FRAME ASSEMBLY	4.00 EA.
566-010	END OF STROKE SWITCH	.80 EA.
568-924	PROGRAM UNIT	6.50 EA.

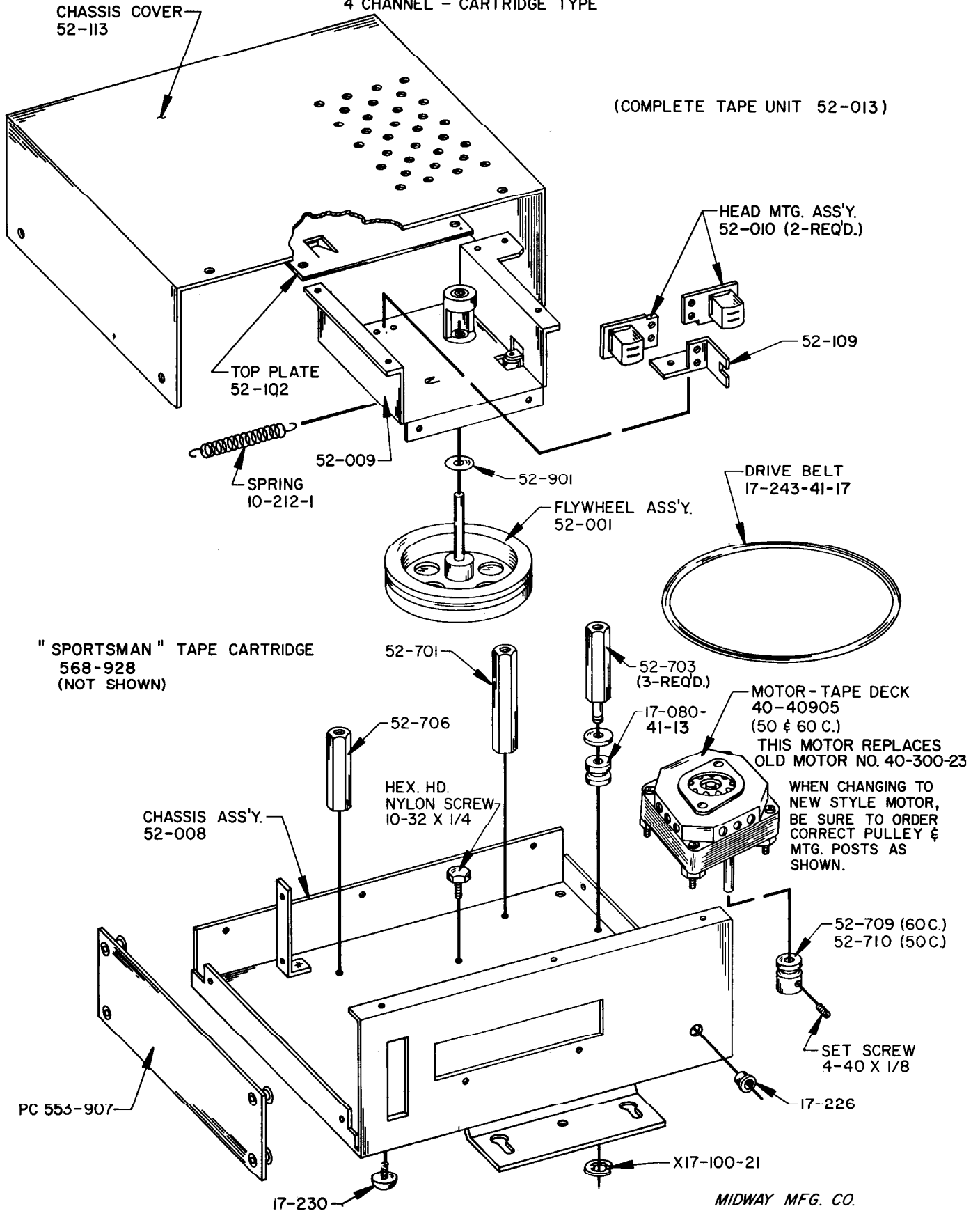
**MIDWAY MFG. CO.**

[www.basementarcade.com](http://www.basementarcade.com)

**BASEMENT  
ARCADE  
CLASSICS**

**NO. 568 SPORTSMAN — — TAPE DECK**

4 CHANNEL - CARTRIDGE TYPE



"SPORTSMAN" TAPE CARTRIDGE  
568-928  
(NOT SHOWN)

MOTOR - TAPE DECK  
40-40905  
(50 & 60 C.)  
THIS MOTOR REPLACES  
OLD MOTOR NO. 40-300-23

WHEN CHANGING TO  
NEW STYLE MOTOR,  
BE SURE TO ORDER  
CORRECT PULLEY &  
MTG. POSTS AS  
SHOWN.

MIDWAY MFG. CO.

**BASMENT  
ARCADE  
CLASSICS**

NO. 568 SPORTSMAN – TAPE DECK (4 CHANNEL)

**PRICE LIST**

**ARRANGED IN NUMERICAL ORDER**

PART NO.	DESCRIPTION	PRICE
10-212-1	SPRING – DETENT	.15 EA.
17-080-41-13	RUBBER GROMMET	.60 DZ.
X17-100-21	“E” RING (7/32”)	.60 DZ.
17-226	PLASTIC SNAP BUSHING	.60 DZ.
17-230	RUBBER FEET – SCREW TYPE	.15 EA.
17-243-41-17	DRIVE BELT (4” I.D.)	1.00 EA.
40-40905	MOTOR-TAPE DECK (50 & 60C.) 1600 R.P.M.	16.00 EA.
52-001	FLYWHEEL ASSEMBLY	7.00 EA.
52-008	CHASSIS ASSEMBLY	6.80 EA.
52-009	BEARING PLATE ASSEMBLY	7.00 EA.
52-010	HEAD MOUNTING ASSEMBLY (2 REQUIRED)	5.00 EA.
52-013	COMPLETE TAPE UNIT	90.00 EA.
52-102	TOP PLATE	1.00 EA.
52-109	TAPE GUIDE	.60 EA.
52-113	CHASSIS COVER	3.00 EA.
52-701	MOUNTING POST (2-11/16” LONG)	.75 EA.
52-703	MOTOR MOUNTING POST (3 REQUIRED)	.45 EA.
52-706	MOUNTING POST (1-1/2” LONG)	.70 EA.
52-709	MOTOR PULLEY (60 C.)	2.00 EA.
52-710	MOTOR PULLEY (50 C.)	1.75 EA.
52-901	WASHER – SPECIAL	.15 EA.
PC553-907	TAPE DECK PRE-AMP P. C.	32.00 EA.
568-928	TAPE CARTRIDGE	7.00 EA.

**MIDWAY MFG. CO.**

**BASEMENT  
ARCADE  
CLASSICS**

ADDITIONAL PARTS FOR SPORTSMAN GAME NO. 568

**PRICE LIST**

**ARRANGED IN NUMERICAL ORDER**

PART NO.	DESCRIPTION	PRICE
MT-15	TRANSFORMER 60 CYCLE	25.00 EA.
MT-16	TRANSFORMER 50 CYCLE	29.00 EA.
17-3-110	FLUORESCENT LAMP 24" B.L.	5.00 EA.
17-9-104	MIRROR (MIRROPANE) 1/4" X 14" X 26-3/8"	40.00 EA.
17-9-105	MIRROR (REGULAR) 1/4" X 14-5/16" X 26-3/8"	13.80 EA.
17-11-113	CAPACITOR (DOMESTIC) 60	3.50 EA.
17-11-143	CAPACITOR (FOREIGN) 50	4.90 EA.
17-050-5-46	LOCK (1350) WITH KEYS – CABINET DOOR	3.00 EA.
17-050-1	1350 KEY (ONLY)	.80 EA.
17-093-102-48	2" LEG LEVELERS & NUT	.40 EA.
17-098-3-27	COUNTER (50 V.)	6.00 EA.
17-125-3-65	A. C. LINE CORD (16 FT.)	3.50 EA.
17-175-3-32	4" SPEAKER	5.40 EA.
G-23-1300	GUN SOLENOID COIL	4.50 EA.
MT-25	TRANSFORMER 50 & 60 CYCLE	11.00 EA.
A-26-1200	PROGRAM UNIT ADVANCE COIL	2.00 EA.
M-29-800	EXTENDED PLAY & STOP TOP SCORE RELAY COIL (2 REQUIRED)	5.00 EA.
G-31-1800	RELAY COILS (EQUIP. CHART) (4 Req'd.)	1.50 EA.
M-32-1500	RELAY TRIP COILS (EQUIP. CHART) (5 Req'd.)	2.00 EA.
K-32-1700	RELEASR COILS (EQUIP. CHART) (5 Req'd.)	1.50 EA.
M-34-2400	RESET COILS (EQUIP. CHART) (7 Req'd.)	4.50 EA.
M-35-3000 DC	RELAYS (EQUIP. CHART) (2 Req'd.)	6.00 EA.
M-36-3300	TRIP COILS (EQUIP. CHART) (18 Req'd.)	2.00 EA.
40-608	CONTROL MOTOR 40 R.P.M.	30.00 EA.
40-40905	TAPE DECK MOTOR 1600 R.P.M.	16.00 EA.
537-138-1	26" GLASS LIFT CHANNEL	2.00 EA.
547-035	SPEAKER BEZEL (2 REQUIRED)	1.50 EA.
549-043	SIDE ACCESS DOOR ASSEMBLY (WHITE)	10.00 EA.

**MIDWAY MFG. CO.**

**BASEMENT  
ARCADE**

PRICES SUBJECT TO CHANGE WITHOUT NOTICE [www.basementarcade.com](http://www.basementarcade.com) CLASSIFIED PAGE 25

ADDITIONAL PARTS FOR SPORTSMAN GAME NO. 568

**PRICE LIST**

**ARRANGED IN NUMERICAL ORDER**

PART NO.	DESCRIPTION	PRICE
549-128	GRILL (2 REQUIRED)	1.00 EA.
549-141	GLASS LOCK BRACKETS (2 REQUIRED)	.80 EA.
553-907	PRE AMP	34.00 EA.
553-911	TOP THIS SCORE UNIT	8.50 EA.
568-035	FLUORESCENT BRACKET ASSEMBLY	18.75 EA.
568-113	COIN BOX	4.50 EA.
568-114	COIN BOX COVER	1.40 EA.
568-151	SCENERY HANGER BAR	1.00 EA.
568-152	SCENERY HANGER BRACKET	.20 EA.
568-501	SCENERY BOARD	16.00 EA.
568-910	VACUUM FORMED SCENERY	27.00 EA.
568-911	SKY CARDBOARD	21.00 EA.
568-912	SCORE GLASS (DOMESTIC)	30.00 EA.
568-912-1	SCORE GLASS (FOREIGN)	36.00 EA.
568-914	MOTOR SPEED UNIT	75.00 EA.
568-916	INTERIOR REFLECTIVE SIDE (R&L)	15.00 EA.
568-917	CROW DIODE BOARD	4.20 EA.
568-918	REAR DUCK DIODE BOARD	5.80 EA.
568-919	DIAGONAL DUCK DIODE BOARD	7.50 EA.
568-920	PULSER UNIT	50.00 EA.
568-921	AMPLIFIER UNIT	60.00 EA.
568-922	100-1000 SCORE UNIT	5.00 EA.
568-924	PROGRAM UNIT	6.50 EA.
568-926	SHOT UNIT	8.00 EA.
568-927	CONTROL UNIT	4.50 EA.
568-929	TIME DELAY	49.00 EA.
601-901-1	TIME UNIT	5.50 EA.

**MIDWAY MFG. CO.**

**BASEMENT  
ARCADE  
CLASSICS**

## SPORTSMAN EQUIPMENT CHART

COIL	PER GAME	APPLICATION
A-26-1200	1	Program Unit advance coil.
G-23-1300	1	Gun Solenoid coil.
G-31-1800	4	Start, Shot, Left Rear Duck Program and Right Rear Duck Program relay coils.
K-32-1700	5	Control, Credit, 100 Score, Score Topped and Shots Units Release Coils.
M-29-800	2	Extended Play and Stop Top Score relay coils.
M-32-1500	5	Top Duck Hit, Bottom Duck Hit, Crow Hit, Cougar Hit, Targets Hit relay Trip coils.
M-34-2400	7	25c Top Duck Hit, Bottom Duck Hit, Crow Hit, Cougar Hit, Targets Hit and Score Topped relay Reset coils.
M-35-3000 D.C.	2	Start Time and Time Delay relays.
M-36-3300	18	0°, 345°, Reset, Lock, Program Reset, Game-Over, Trigger, 2nd Speed, 3rd Speed, End of Travel, Left Diagonal Duck Program, Right Diagonal Duck Program, Left Crow Program, Right Crow Program, Left Cougar Program, Right Cougar Program, Targets, Hi-Speed and Score Topped relay Trip coils.

### MISCELLANEOUS

MT-15	1	60 cycle	Transformer
MT-16	1	50 cycle	Transformer
MT-25	1	50 & 60 cycle	Transformer
40-608	1	Control Motor 40 RPM.	
40-611	1	Cougar Target Reverse Motor 3600 RPM.	
40-2227	1	Diagonal Duck Target Motor 15 RPM.	
40-2228	1	Crow Target Motor 20 RPM.	
40-2236	1	Cougar Target Motor 4 RPM.	
40-2237	1	Rear Duck Target Motor 110 RPM.	
40-40905	1	Tape Deck Motor 1600 RPM.	

### PRINTED CIRCUITS

553-507	1	Pre Amp	
568-901	1	Diagonal Duck Targets	
568-908	1	Crow Targets	
568-914	1	Motor Speed Unit	
568-915	1	Rear Duck Targets	
568-917	1	Crow Diode Board	
568-918	1	Rear Duck Diode Board	
568-919	1	Diagonal Duck Diode Board	
568-920	1	Pulser Unit	
568-921	1	Amplifier Unit	
568-922	1	100 - 1000 Score Unit	
568-925	1	Cougar Target	
568-927	1	Control Unit	
568-929	1	Time Delay	
601-901-1	1	Time Unit	

### RIVETED DISCS

553-911	1	Top This Score Unit	
568-923	1	Stylus Unit	
568-924	1	Program Unit	
568-926	1	Shot Unit	

**BASEMENT  
ARCADE  
CLASSICS**