

THANK YOU FOR DOWNLOADING THIS MANUAL. I HOPE IT HELPS YOU RESOLVE ANY ISSUES YOU HAVE HAD WITH YOUR GAME.

THIS MANUAL WAS PURCHASED, AND SCANNED BY BASEMENT ARCADE ASSOCIATES, WWW.BASEMENTARCADE.COM AND IS OFFERED FOR FREE DOWNLOAD AT OUR SITE.

THIS PDF IS NOT TO BE DISTRIBUTED ON ANY COLLECTION CD / DVD, NOR IS TO BE LINKED TO VIA ANY OTHER INTERNET SITE WITHOUT PERMISSION FROM US. LIKEWISE IT IS NOT TO BE DISTRIBUTED FROM ANY OTHER SITE WITHOUT OUR PERMISSION.

ABIDING BY THESE REQUESTS, WILL INSURE THE CONTINUING SUPPORT OF NEW MANUALS ADDED TO OUR SITE.

ALL ORIGINAL COPYRIGHTS HELD BY THEIR ORIGINAL OWNERS, THIS PDF COPYRIGHTED BASEMENT ARCADE ASSOCIATES.

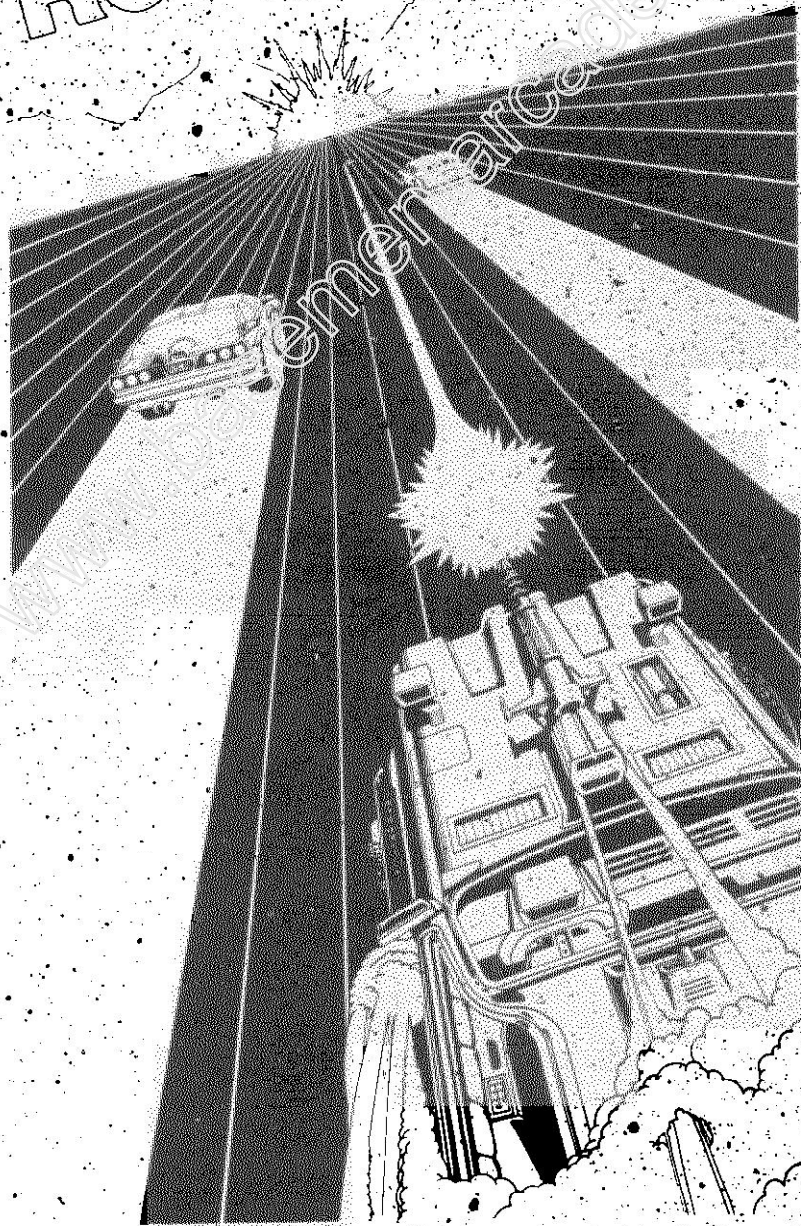
==MARK==

Road Blasters Schematic Package

Supplement to the Operators Manual

For System I Game

RoadBlasters



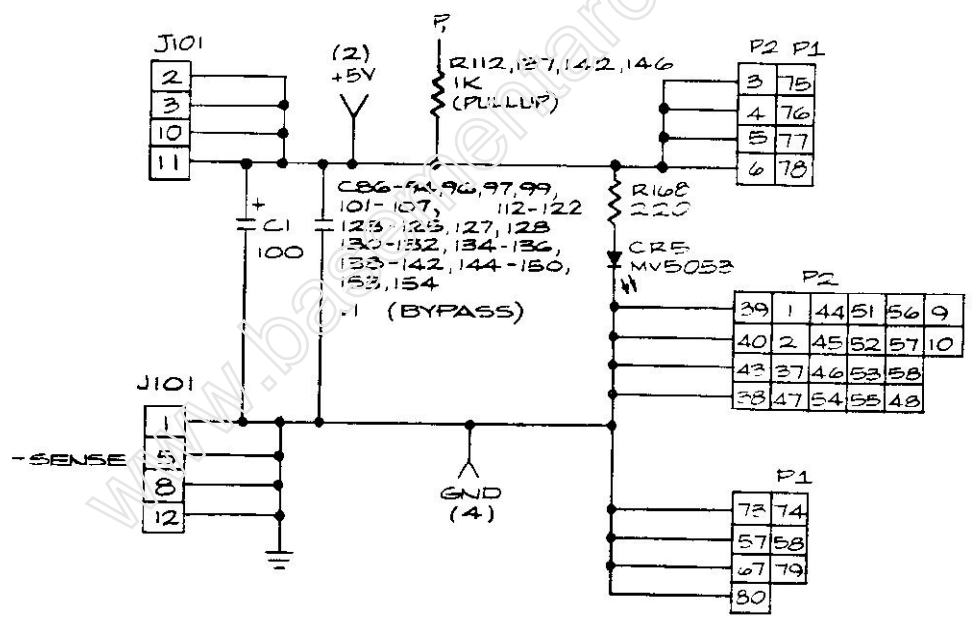
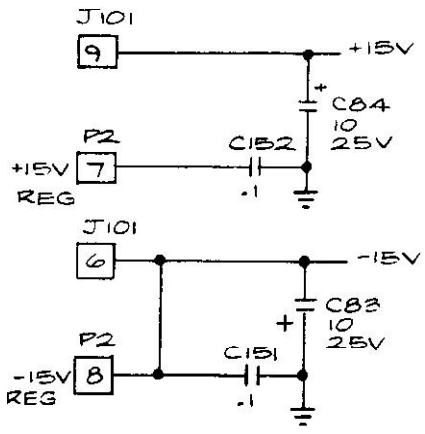
This staple temporarily holds the schematic package together. Remove the staple before using these schematics.



IC CHART

TYPE	VOLTAGE PIN NO			UNUSED GATES
	3V	5V	10V	
74LS00	7	14		
74LS02	7	14		
74LS02	7	14		
74LS04	7	14		
7407	7	14		
74LS08	7	14		
74S08	7	14		
74LS14	7	14		
74LS20	7	14		
74LS30	7	14		
74LS32	7	14		
74LS74	7	14		
74S74	7	14		
74LS86	7	14		
74LS125	7	14		
74LS138	8	16		
74LS139	8	16		
74LS148	8	16		
74LS151	8	16		
74S151	8	16		
74LS153	8	16		
74S163	8	16		
74LS163A	8	16		
74LS174	8	16		
74S174	8	16		
74S175	8	16		
74S189	8	16		
74LS191	8	16		
74LS194	8	16		
74LS197	7	14		
74S240	10	20		
74LS244	10	20		
74LS245	10	20		
74S257	8	16		
74LS259	8	16		
74S260	7	14		
74LS273	10	20		
74S273	10	20		
74LS283	8	16		
74LS367A	8	16		
74LS368A	8	16		
74LS373	10	20		
74LS374	10	20		
74S374	10	20		
74LS378	8	16		
LM324	11	6	4	
2149-3	9	18		
2149-2	9	18		
YM3012				
82S129	8	16		
82S153				
IMS1420	10	20		
6502A	1	21		
68010				
2764				
6116	12	24		
2312B				
LETA				
ADC0809				
2804				
QUAD PKEY				
Y2151				

VE



NOTICE TO ALL PERSONS RECEIVING THIS DRAWING

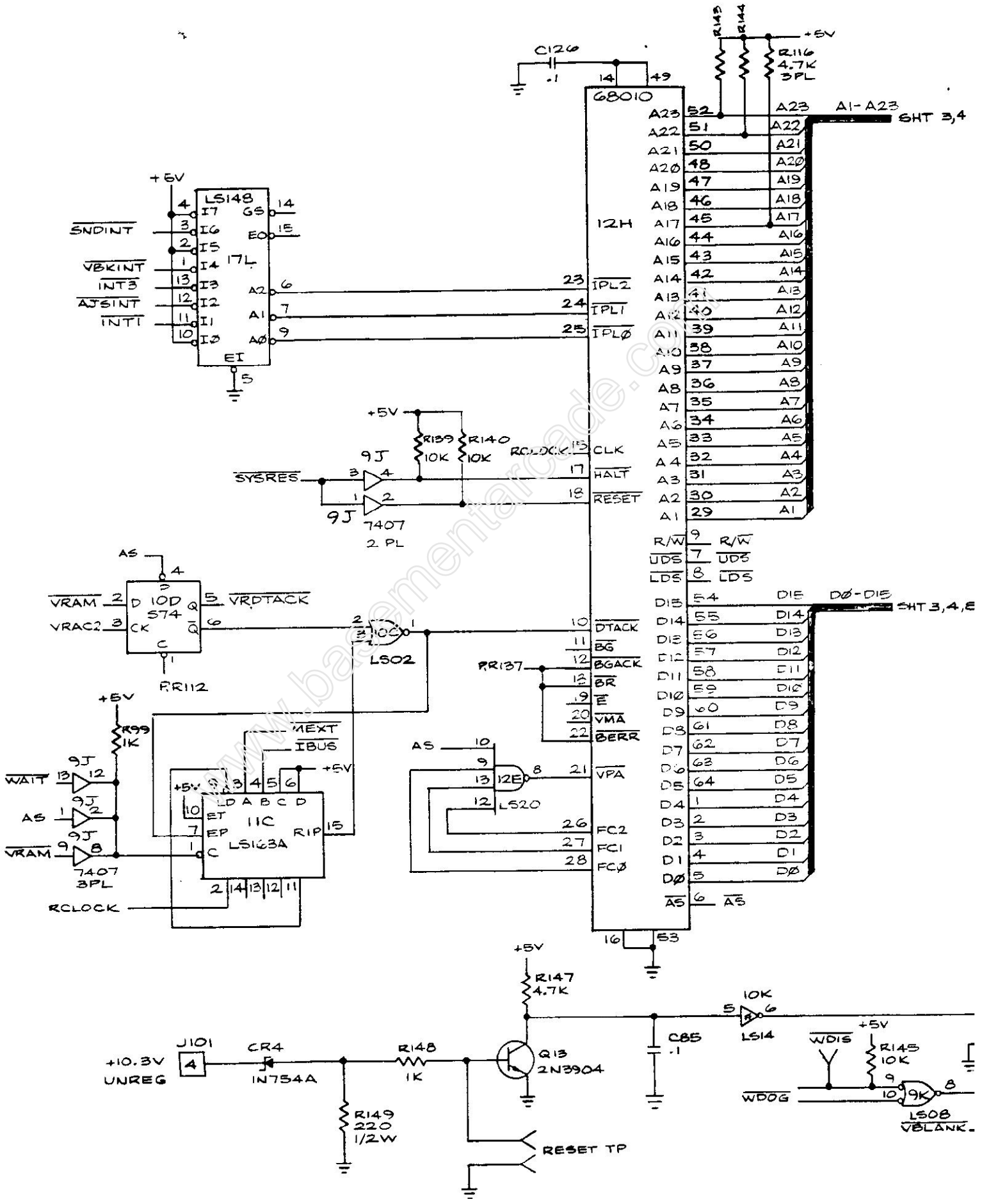
CONFIDENTIAL - Reproduction forbidden without the specific written permission of Atari Games Corporation, Milpitas, CA. This drawing is only conditionally issued, and neither receipt nor possession thereof confers or transfers any right in, or license to use, the subject matter of the drawing or any design or technical information shown thereon, nor any right to reproduce this drawing or any part thereof. Except for manufacture by vendors of Atari Games Corporation, and for manufacture under the corporation's written license, no right is granted to reproduce this drawing or the subject matter thereof, unless by written agreement with or written permission from the corporation.

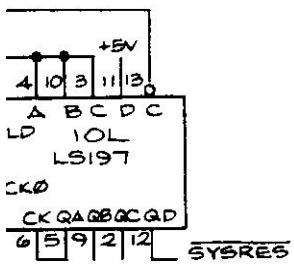
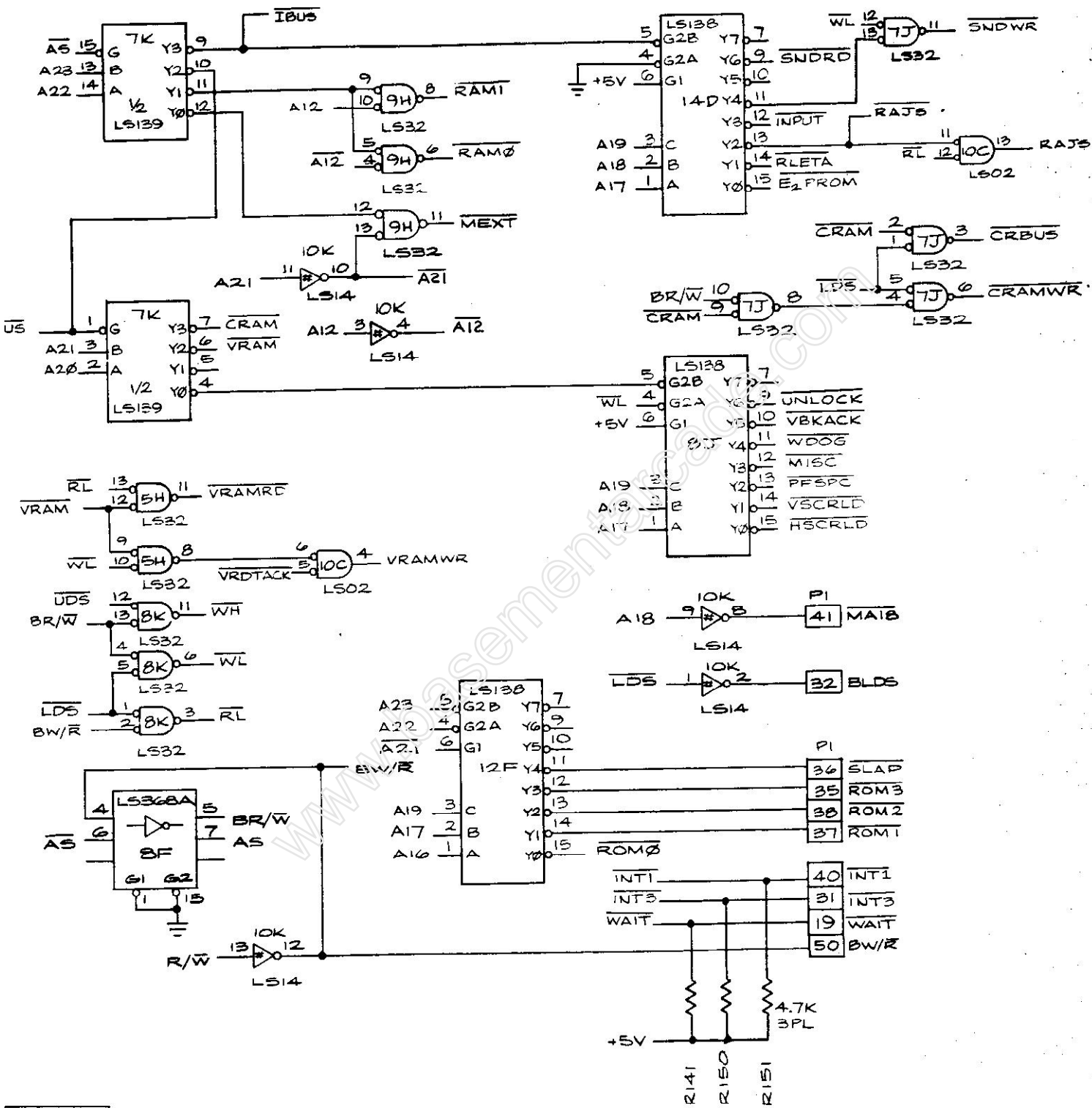


Road Blasters™ /System I LSI Main PCB Schematic Diagram

© 1987 Atari Games Corporation

SP-298 Sheet 1
1st printing



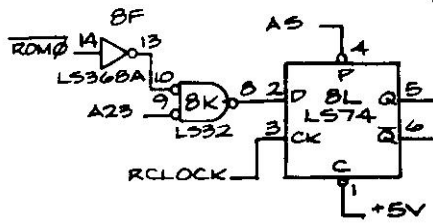
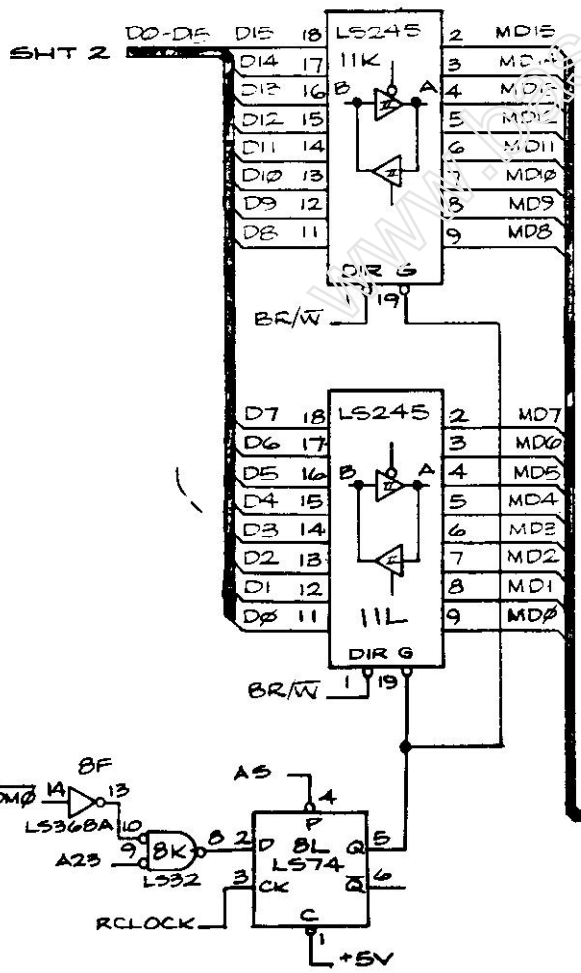
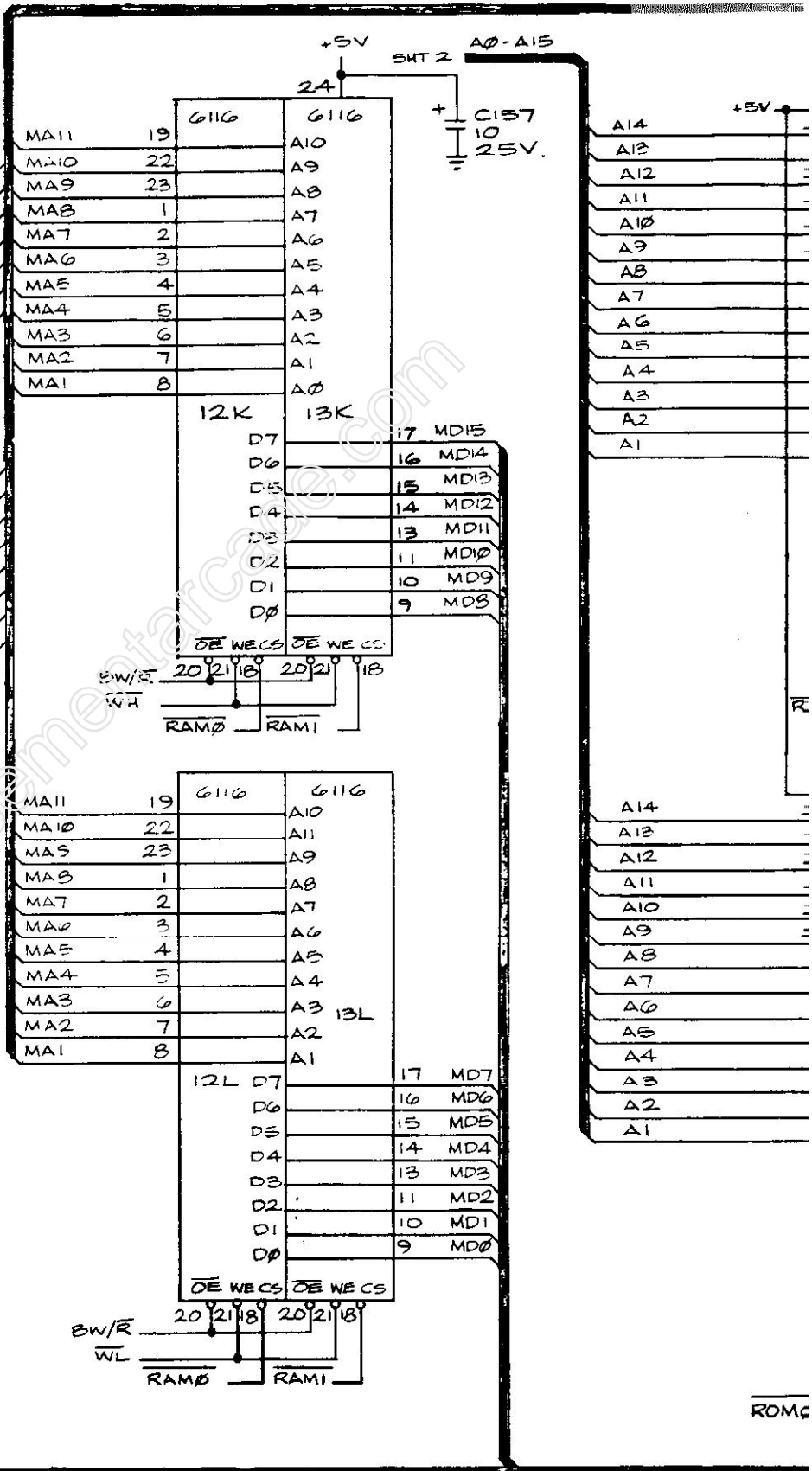
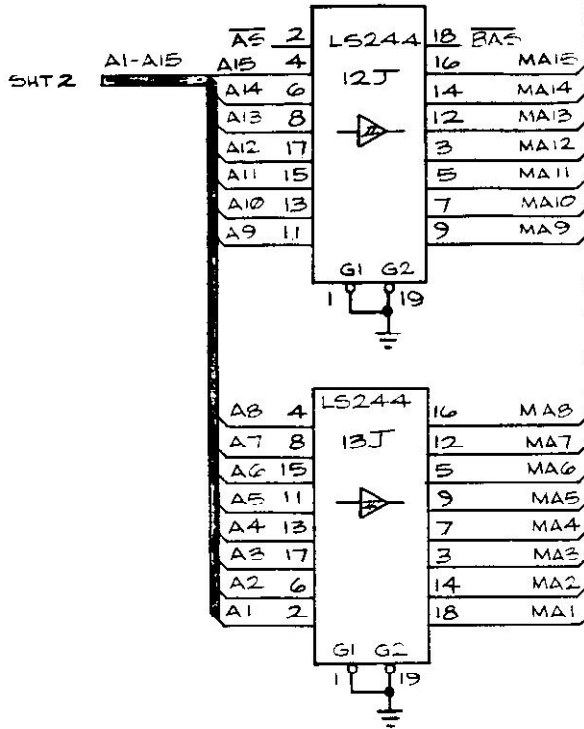


NOTICE TO ALL PERSONS RECEIVING THIS DRAWING
 CONFIDENTIAL: Reproduction forbidden without the specific written permission of Atari Games Corporation, Milpitas, CA. This drawing is only conditionally issued, and neither receipt nor possession thereof confers or transfers any right in, or license to use, the subject matter of the drawing or any design or technical information shown thereon, nor any right to reproduce this drawing or any part thereof. Except for manufacture by vendors of Atari Games Corporation, and for manufacture under the corporation's written license, no right is granted to reproduce this drawing or the subject matter thereof, unless by written agreement with or written permission from the corporation.

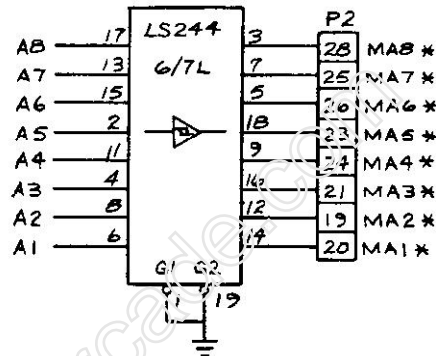
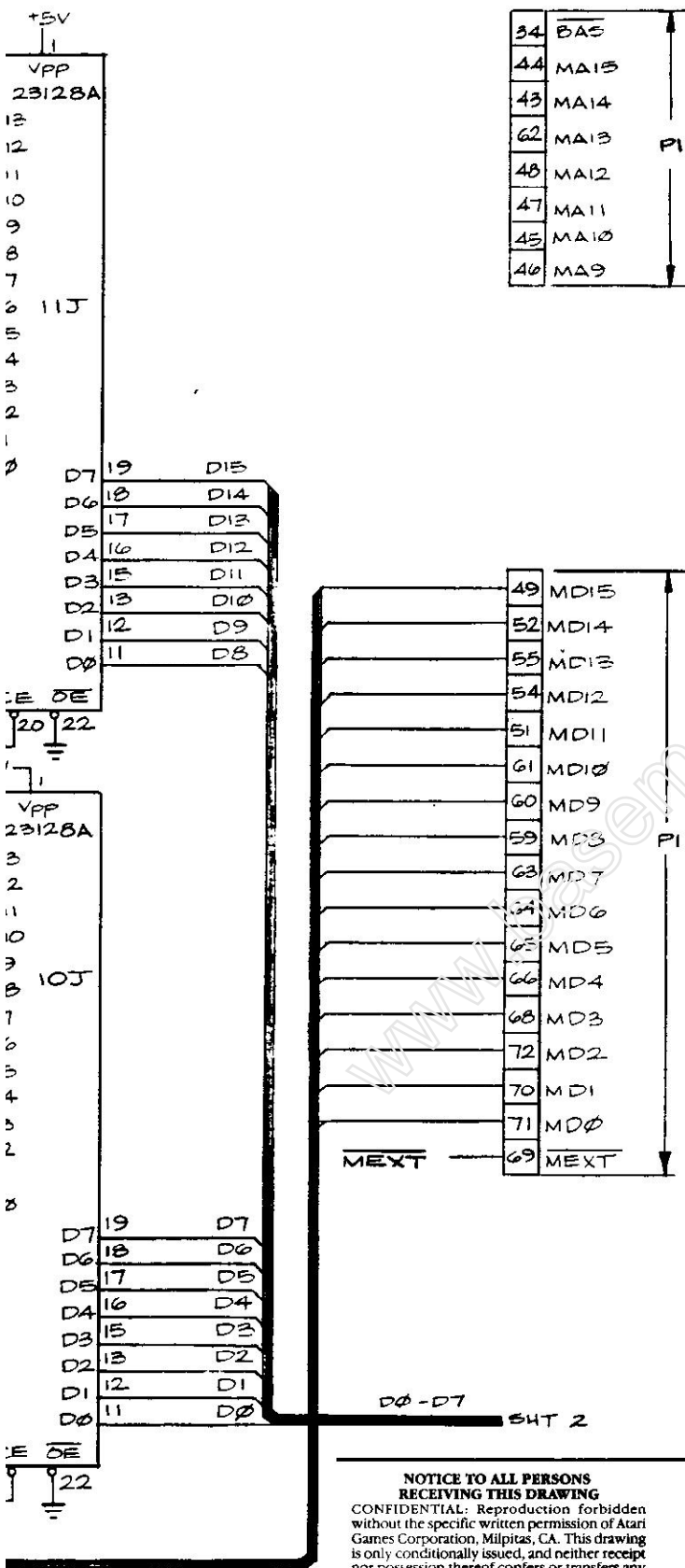


Road Blasters™ /System I LSI Main PCB Schematic Diagram

© 1987 Atari Games Corporation
 SP-298 Sheet 2
 1st printing



ROMC



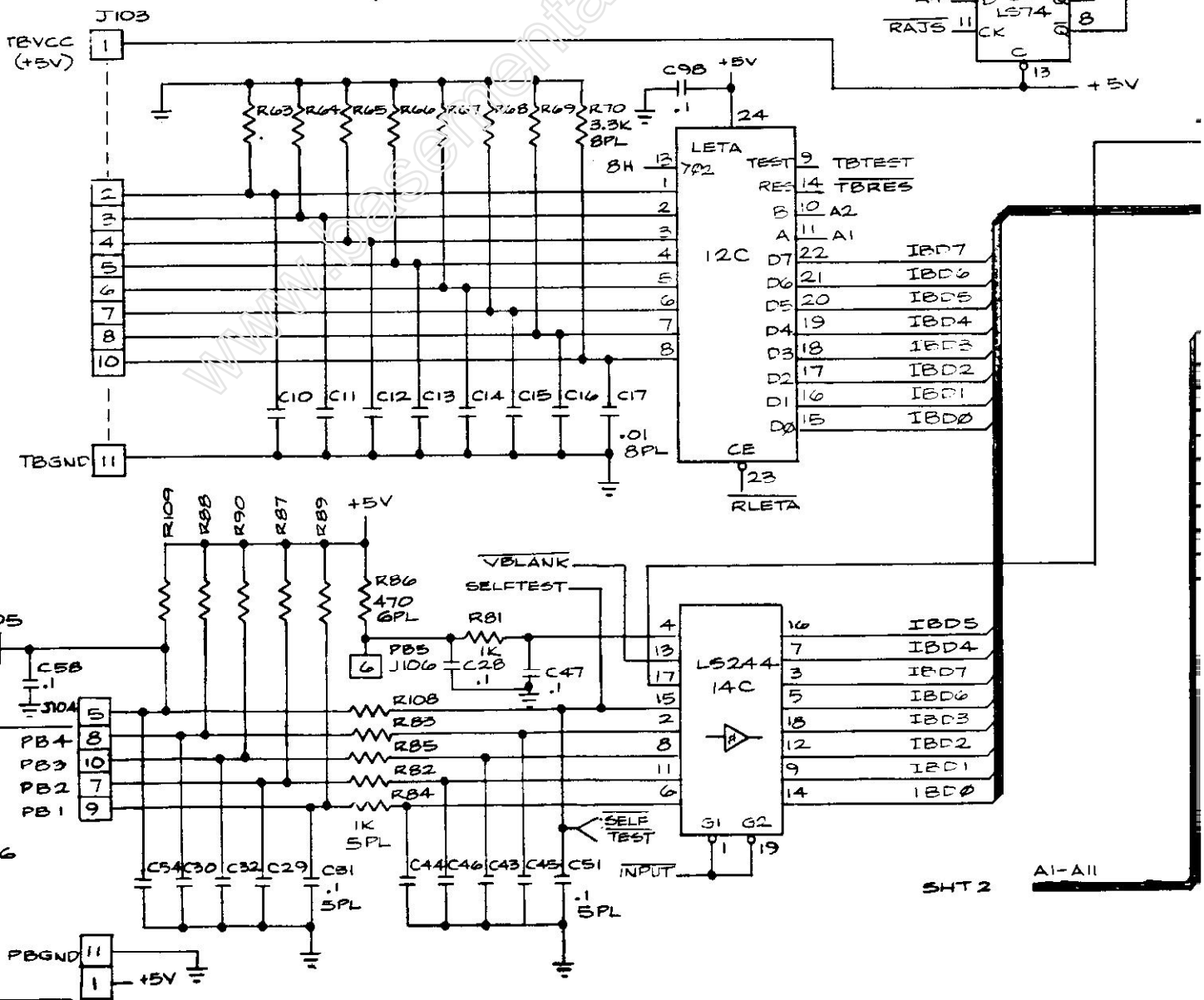
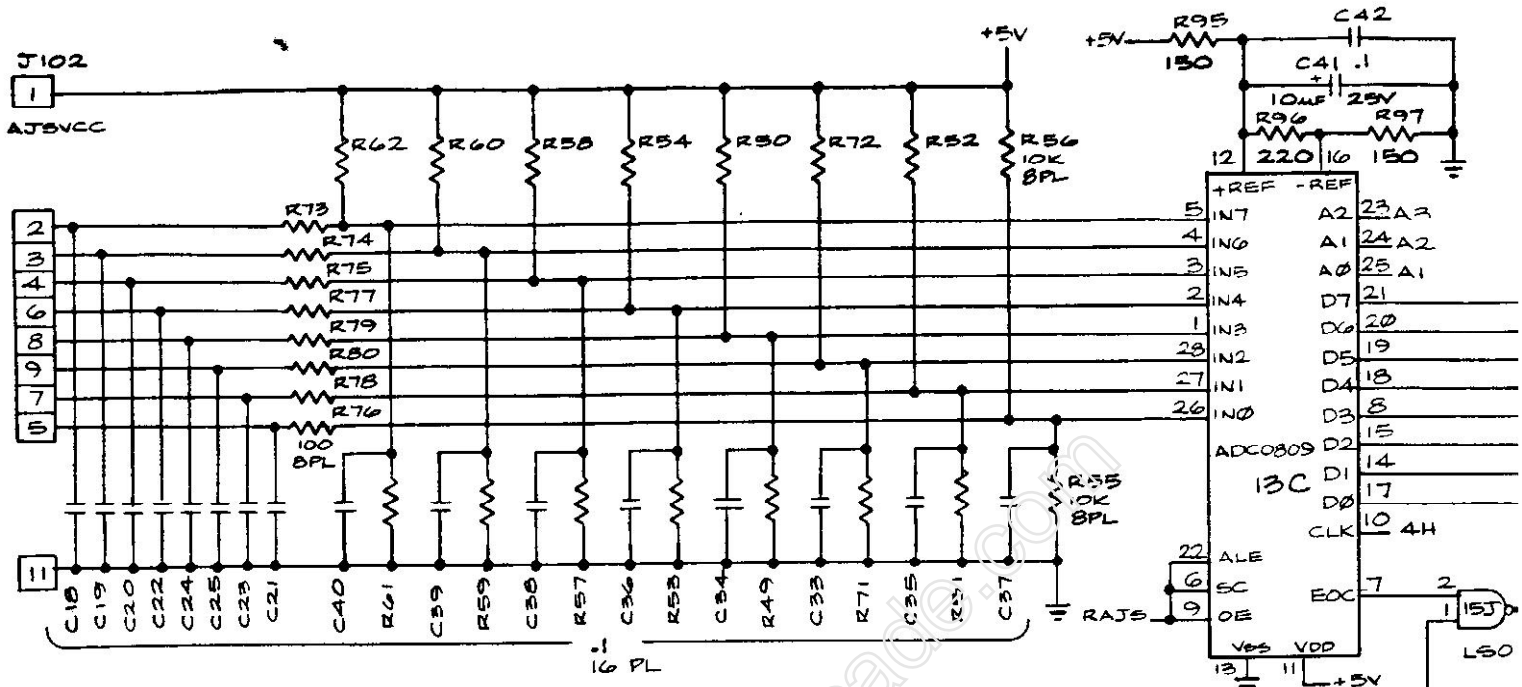
NOTICE TO ALL PERSONS RECEIVING THIS DRAWING
 CONFIDENTIAL: Reproduction forbidden without the specific written permission of Atari Games Corporation, Milpitas, CA. This drawing is only conditionally issued, and neither receipt nor possession thereof confers or transfers any right in, or license to use, the subject matter of the drawing or any design or technical information shown thereon, nor any right to reproduce this drawing or any part thereof. Except for manufacture by vendors of Atari Games Corporation, and for manufacture under the corporation's written license, no right is granted to reproduce this drawing or the subject matter thereof, unless by written agreement with or written permission from the corporation.

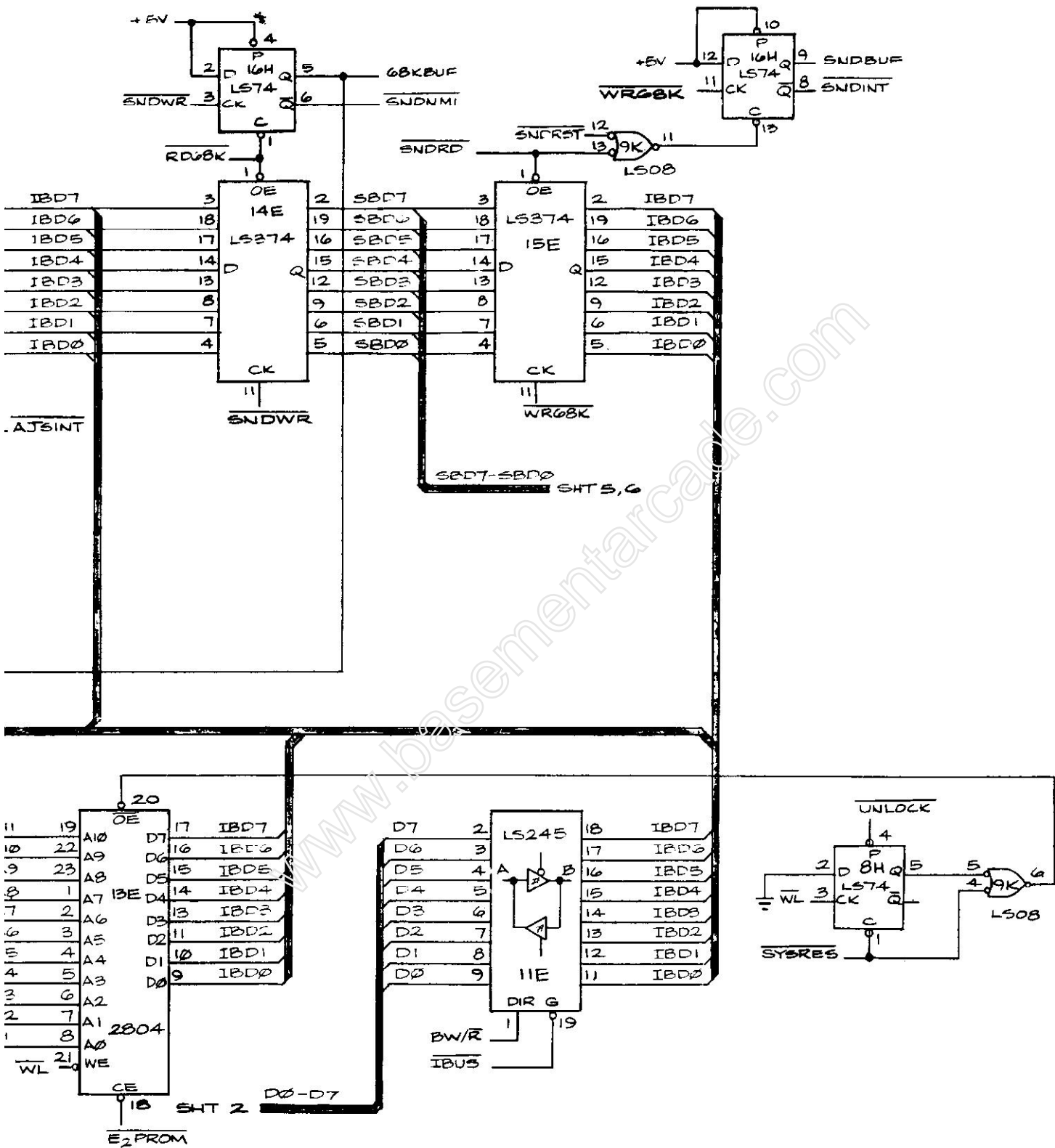


Road Blasters™ /System I LSI Main PCB Schematic Diagram

© 1987 Atari Games Corporation

SP-298 Sheet 3
1st printing





NOTICE TO ALL PERSONS RECEIVING THIS DRAWING

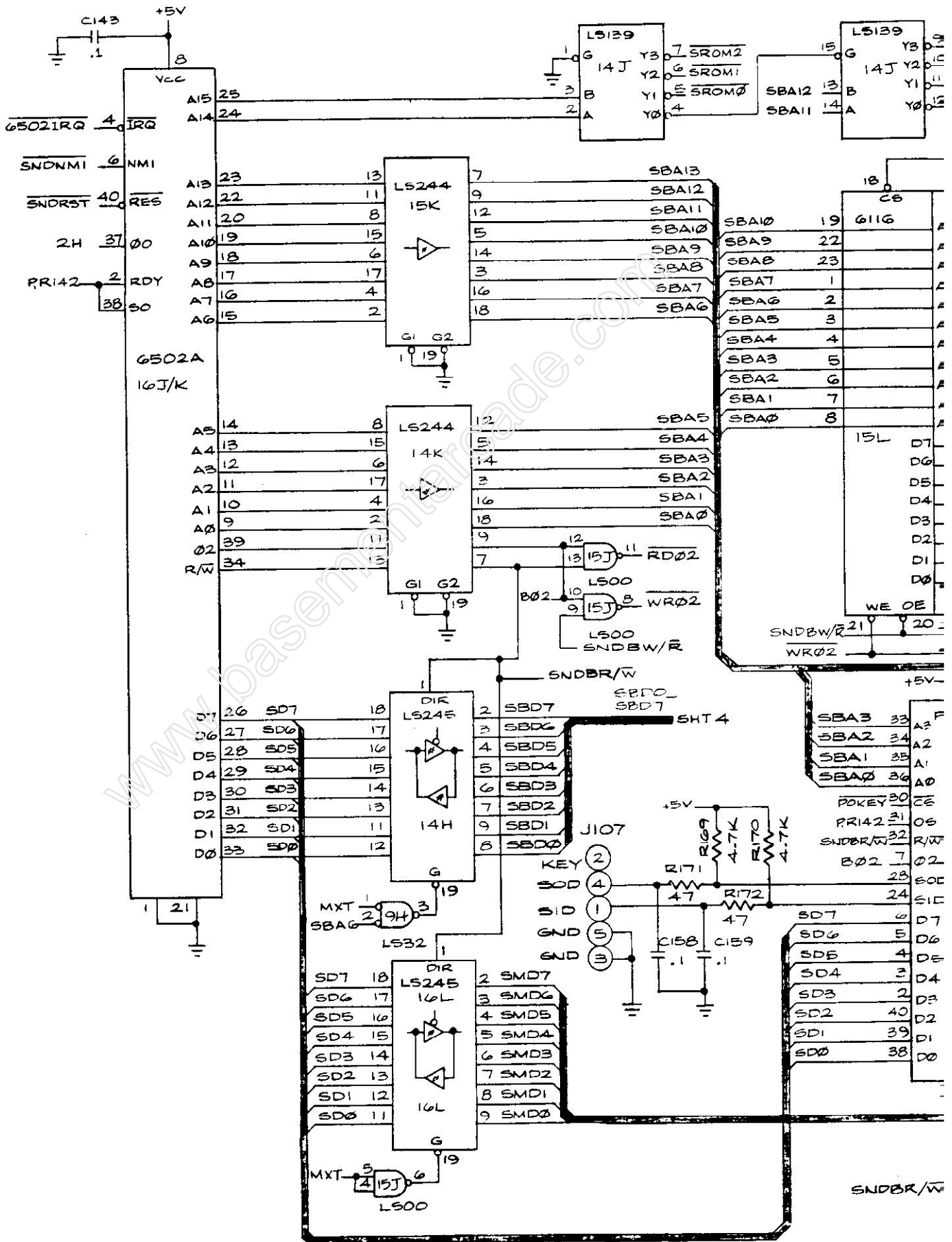
CONFIDENTIAL. Reproduction forbidden without the specific written permission of Atari Games Corporation, Milpitas, CA. This drawing is only conditionally issued, and neither receipt nor possession thereof confers or transfers any right in, or license to use, the subject matter of the drawing or any design or technical information shown thereon, nor any right to reproduce this drawing or any part thereof. Except for manufacture by vendors of Atari Games Corporation, and for manufacture under the corporation's written license, no right is granted to reproduce this drawing or the subject matter thereof, unless by written agreement with or written permission from the corporation.

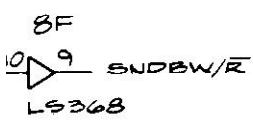
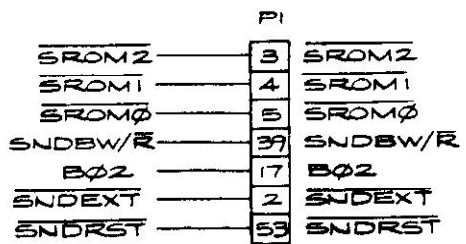
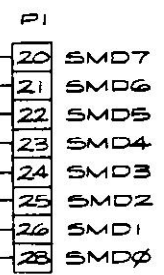
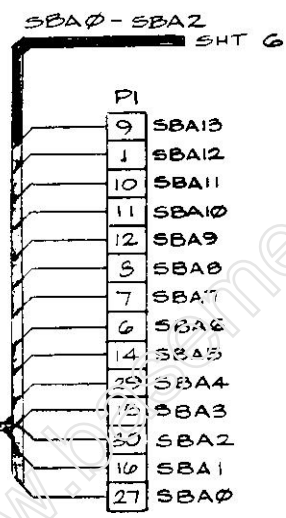
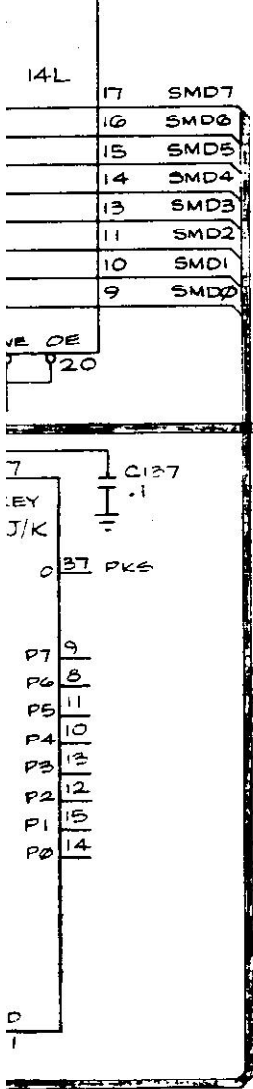
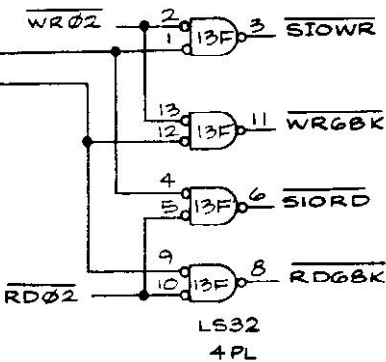
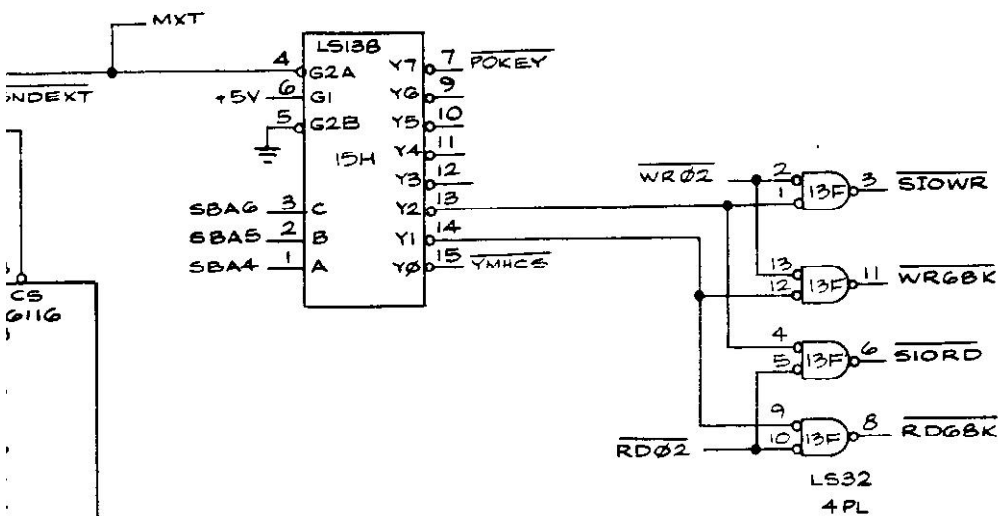


Road Blasters™ /System I LSI Main PCB Schematic Diagram

© 1987 Atari Games Corporation

SP-298 Sheet 4
1st printing

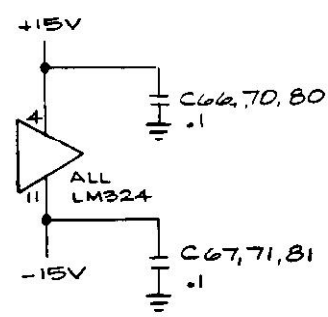
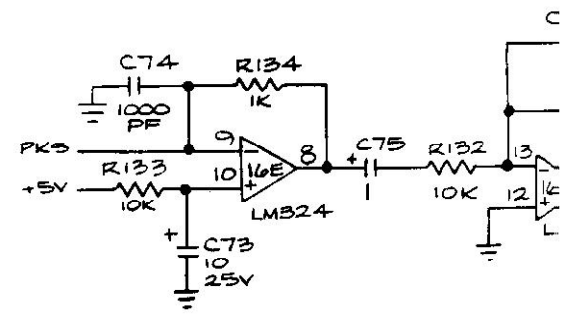
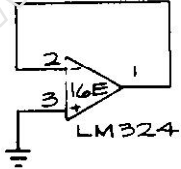
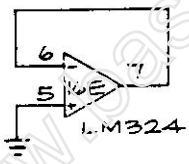
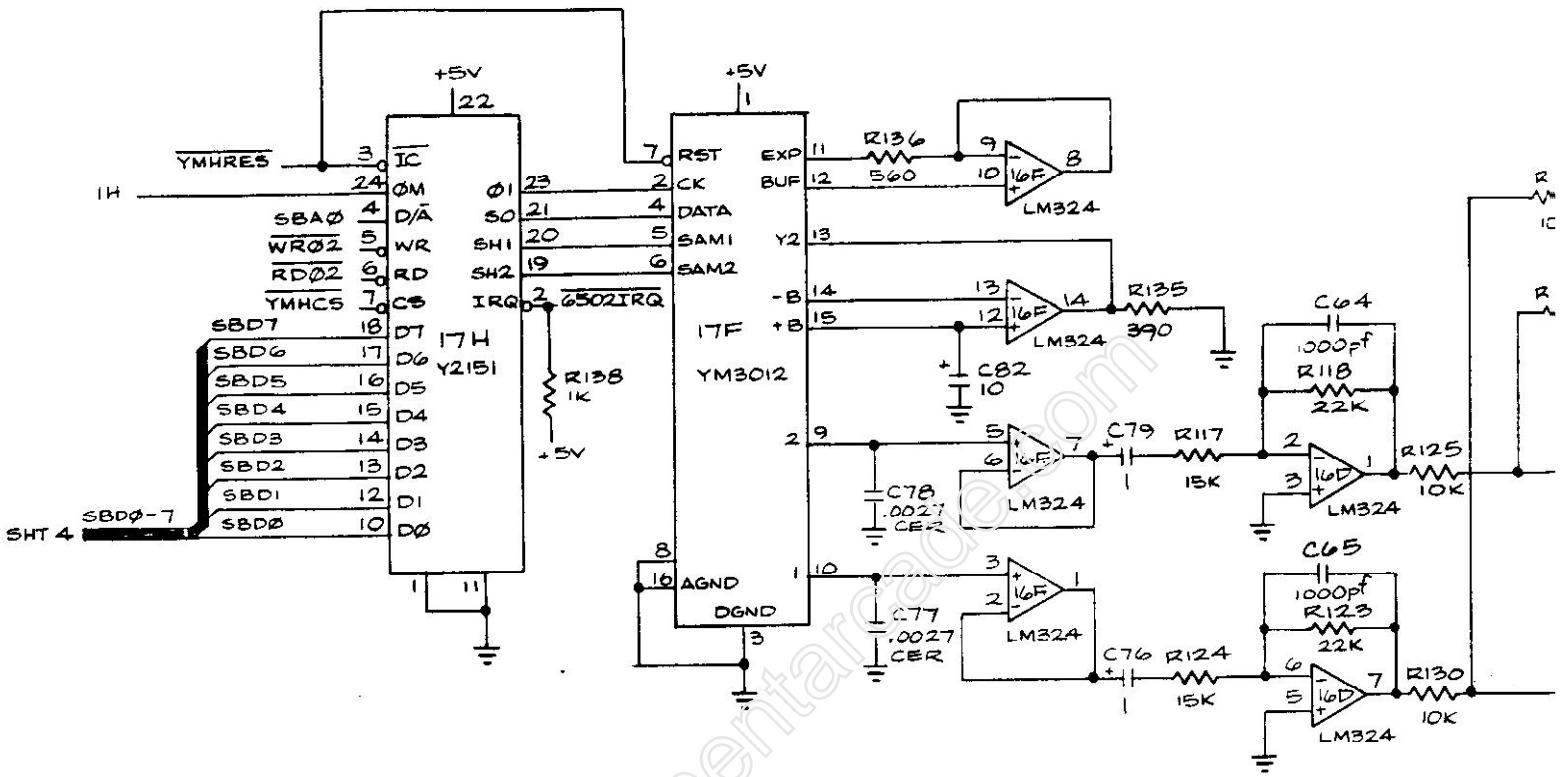


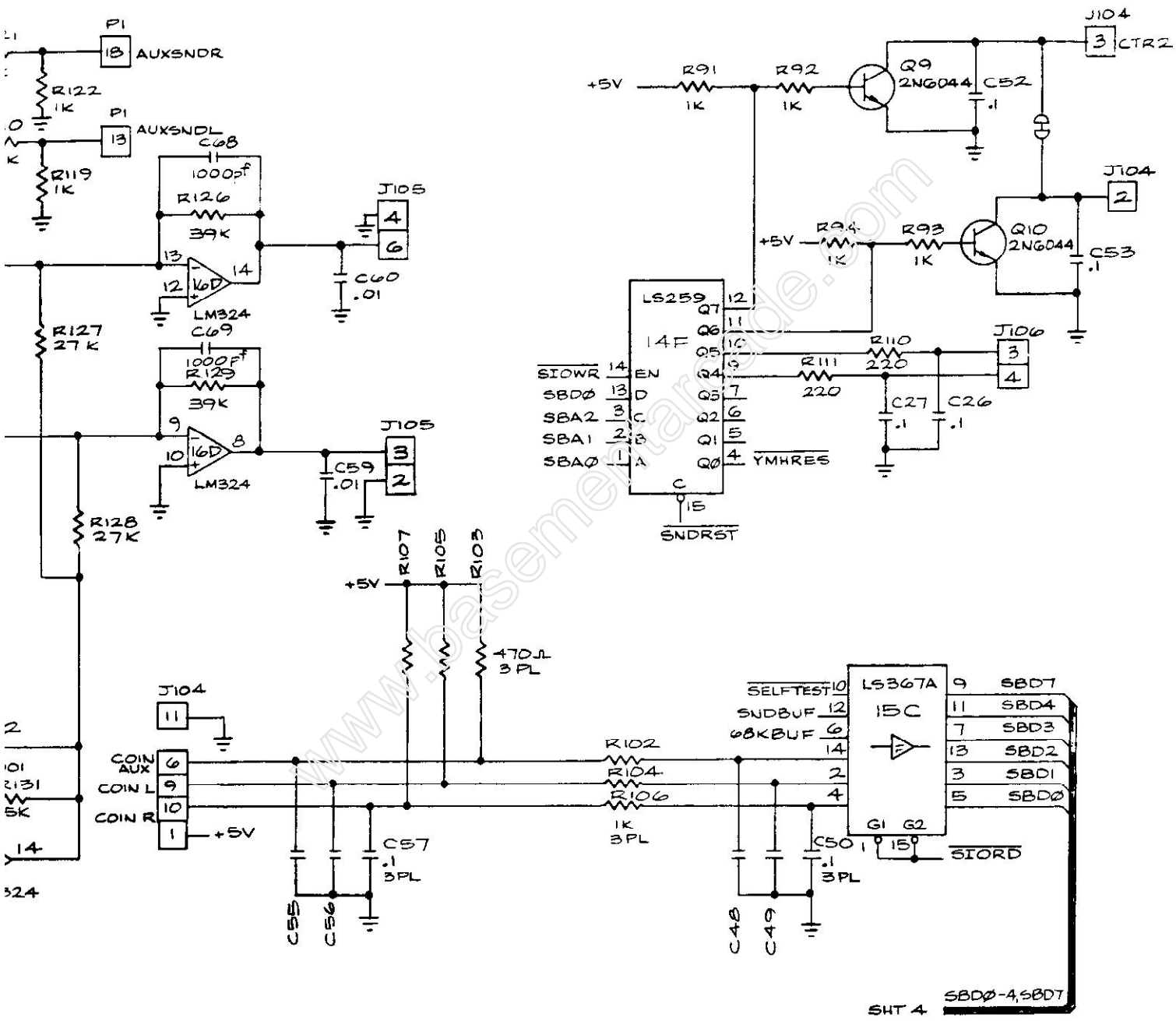


NOTICE TO ALL PERSONS RECEIVING THIS DRAWING
 CONFIDENTIAL- Reproduction forbidden without the specific written permission of Atari Games Corporation, Milpitas, CA. This drawing is only conditionally issued, and neither receipt nor possession thereof confers or transfers any right in, or license to use, the subject matter of the drawing or any design or technical information shown thereon, nor any right to reproduce this drawing or any part thereof. Except for manufacture by vendors of Atari Games Corporation, and for manufacture under the corporation's written license, no right is granted to reproduce this drawing or the subject matter thereof, unless by written agreement with or written permission from the corporation.



Road Blasters™ /System I LSI Main PCB Schematic Diagram





NOTICE TO ALL PERSONS RECEIVING THIS DRAWING

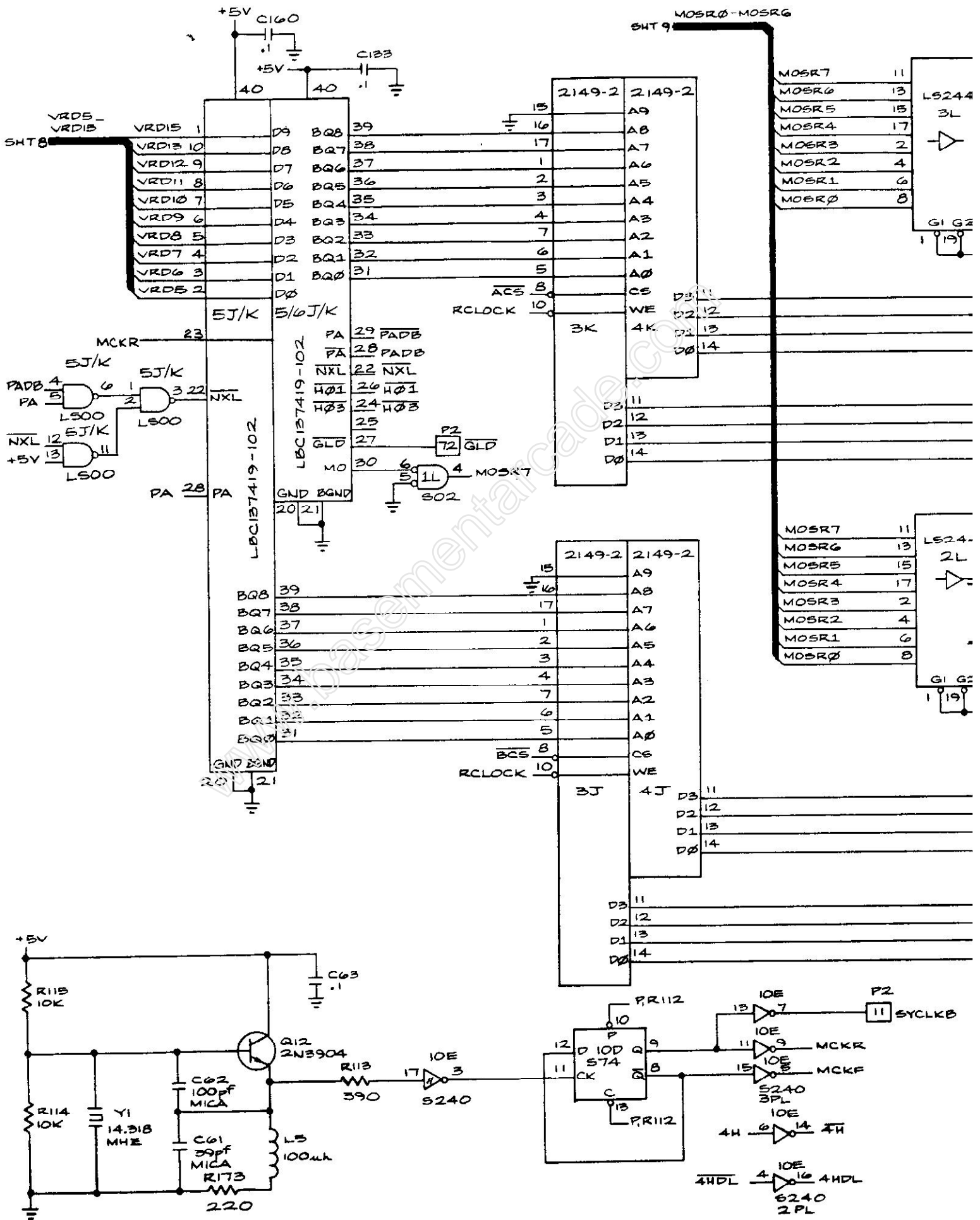
CONFIDENTIAL. Reproduction forbidden without the specific written permission of Atari Games Corporation, Milpitas, CA. This drawing is only conditionally issued, and neither receipt nor possession thereof confers or transfers any right in, or license to use, the subject matter of the drawing or any design or technical information shown thereon, nor any right to reproduce this drawing or any part thereof. Except for manufacture by vendors of Atari Games Corporation, and for manufacture under the corporation's written license, no right is granted to reproduce this drawing or the subject matter thereof, unless by written agreement with or written permission from the corporation.

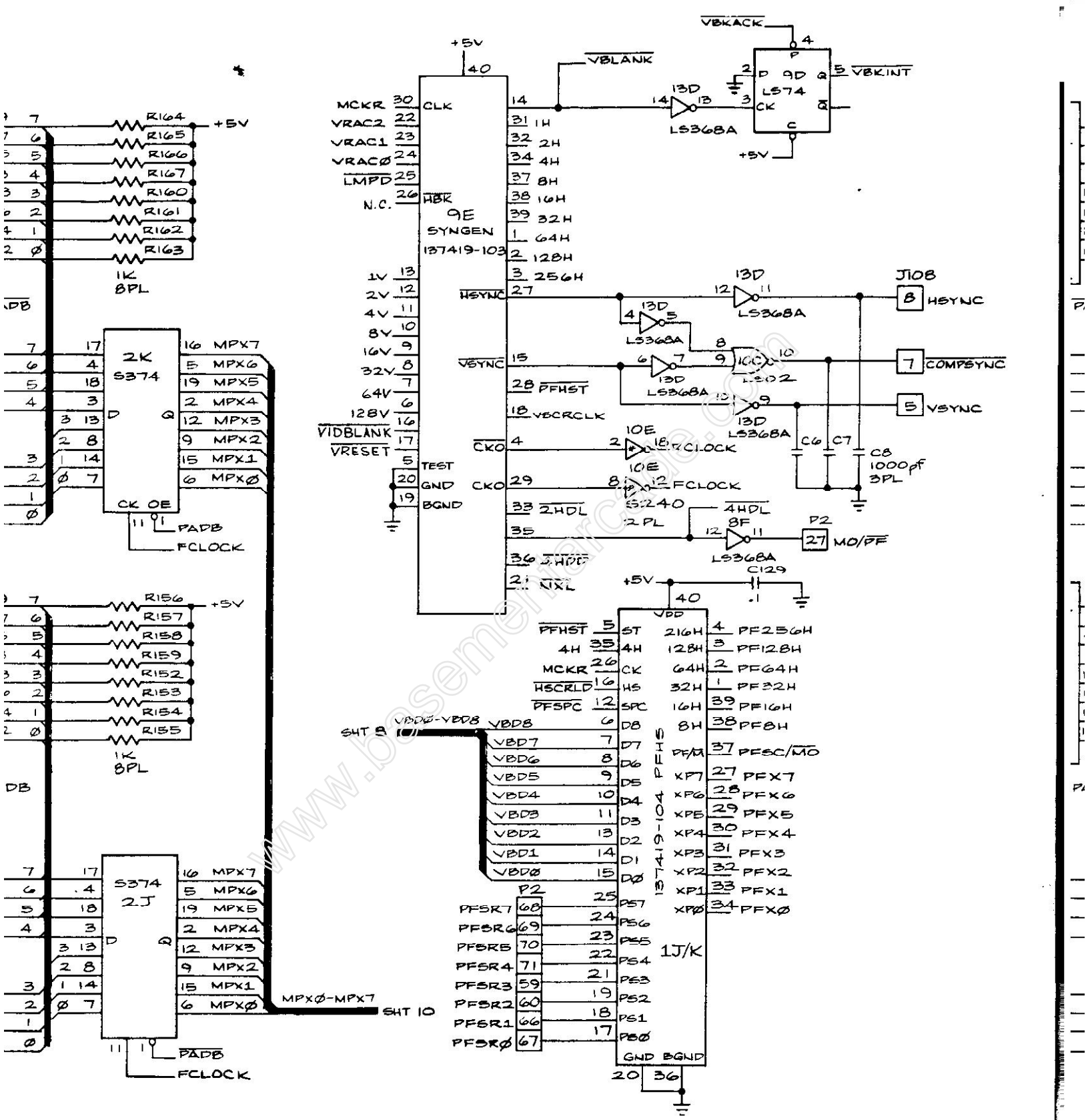


Road Blasters™ / System I LSI Main PCB Schematic Diagram

© 1987 Atari Games Corporation

SP-298 Sheet 6
1st printing





NOTICE TO ALL PERSONS RECEIVING THIS DRAWING

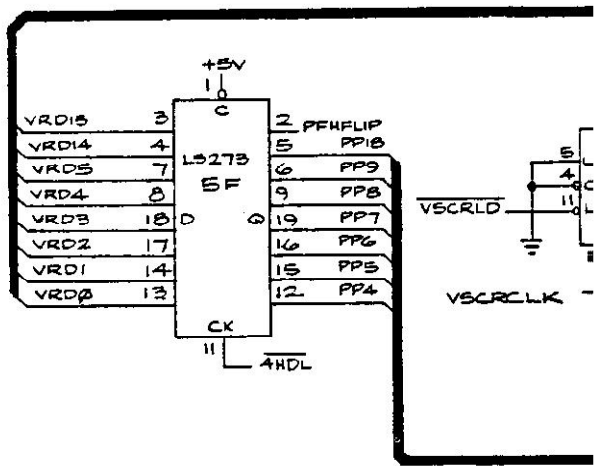
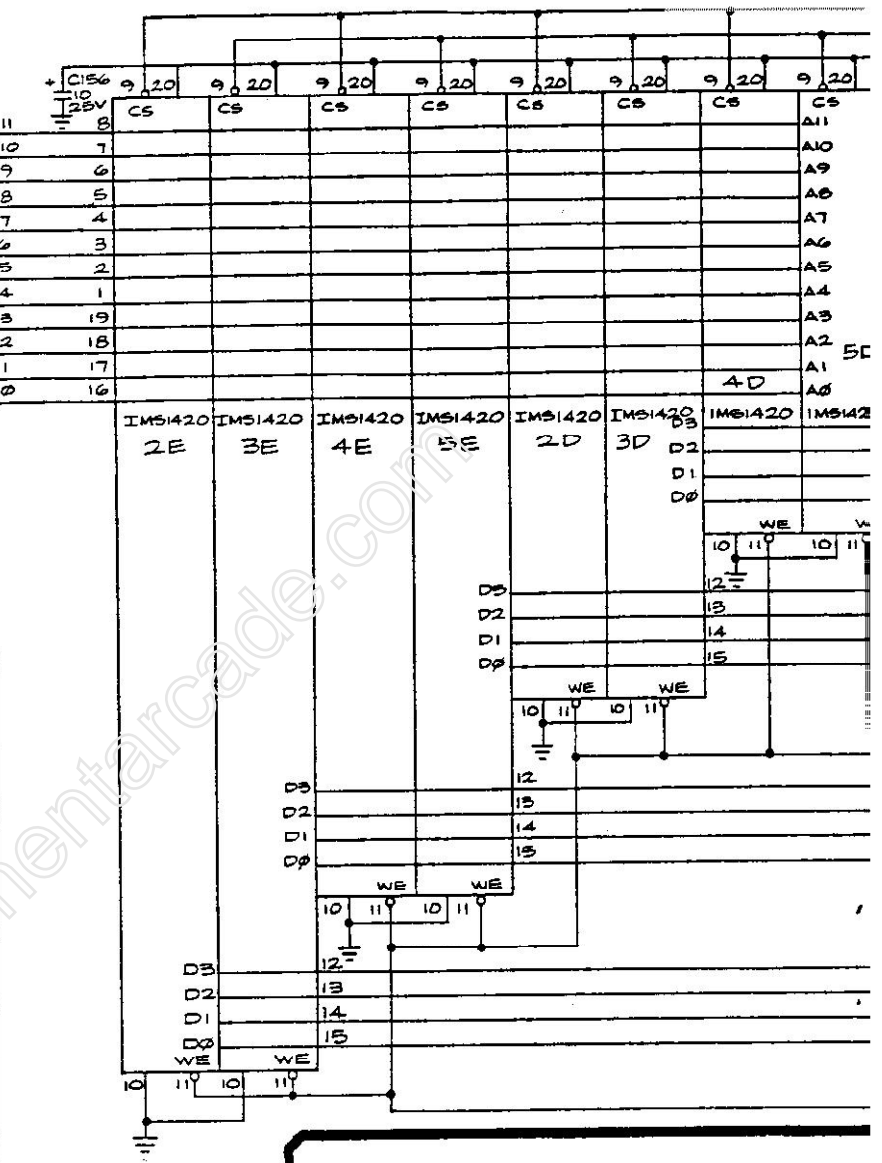
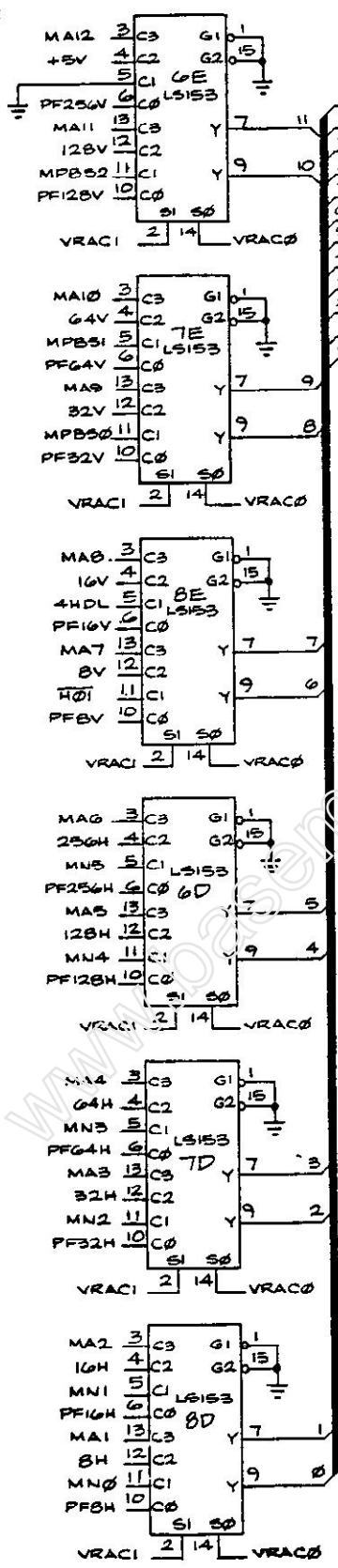
CONFIDENTIAL: Reproduction forbidden without the specific written permission of Atari Games Corporation, Milpitas, CA. This drawing is only conditionally issued, and neither receipt nor possession thereof confers or transfers any right in, or license to use, the subject matter of the drawing or any design or technical information shown thereon, nor any right to reproduce this drawing or any part thereof. Except for manufacture by vendors of Atari Games Corporation, and for manufacture under the corporation's written license, no right is granted to reproduce this drawing or the subject matter thereof, unless by written agreement with or written permission from the corporation.

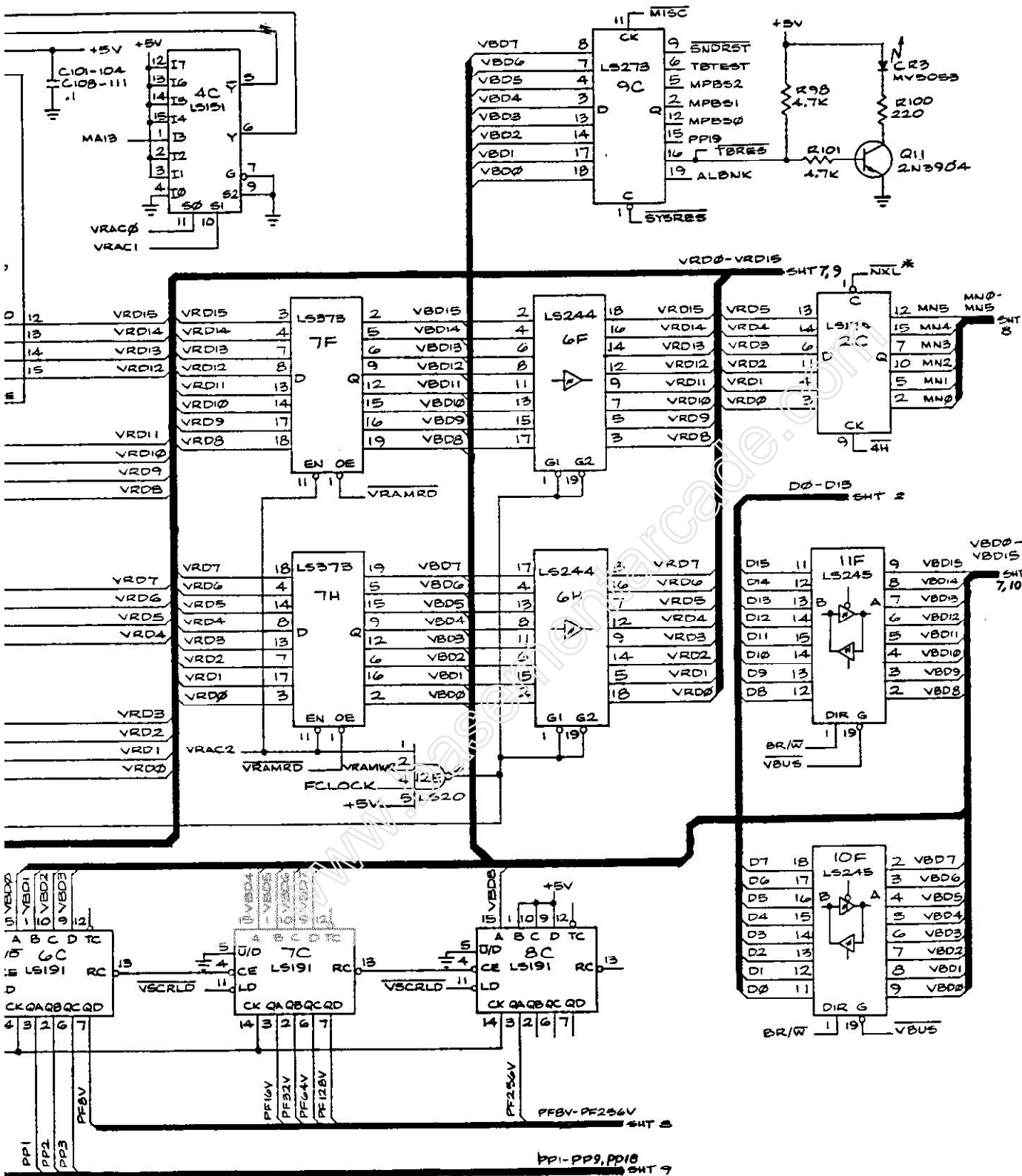


Road Blasters™ /System I LSI Main PCB Schematic Diagram

© 1987 Atari Games Corporation

SP-298 Sheet 7
1st printing





NOTICE TO ALL PERSONS RECEIVING THIS DRAWING

CONFIDENTIAL. Reproduction forbidden without the specific written permission of Atari Games Corporation, Milpitas, CA. This drawing is only conditionally issued, and neither receipt nor possession thereof confers or transfers any right in, or license to use, the subject matter of the drawing or any design or technical information shown thereon, nor any right to reproduce this drawing or any part thereof. Except for manufacture by vendors of Atari Games Corporation, and for manufacture under the corporation's written license, no right is granted to reproduce this drawing or the subject matter thereof, unless by written agreement with or written permission from the corporation.

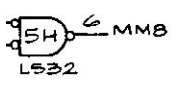


**Road Blasters™ /System I LSI Main
PCB Schematic Diagram**

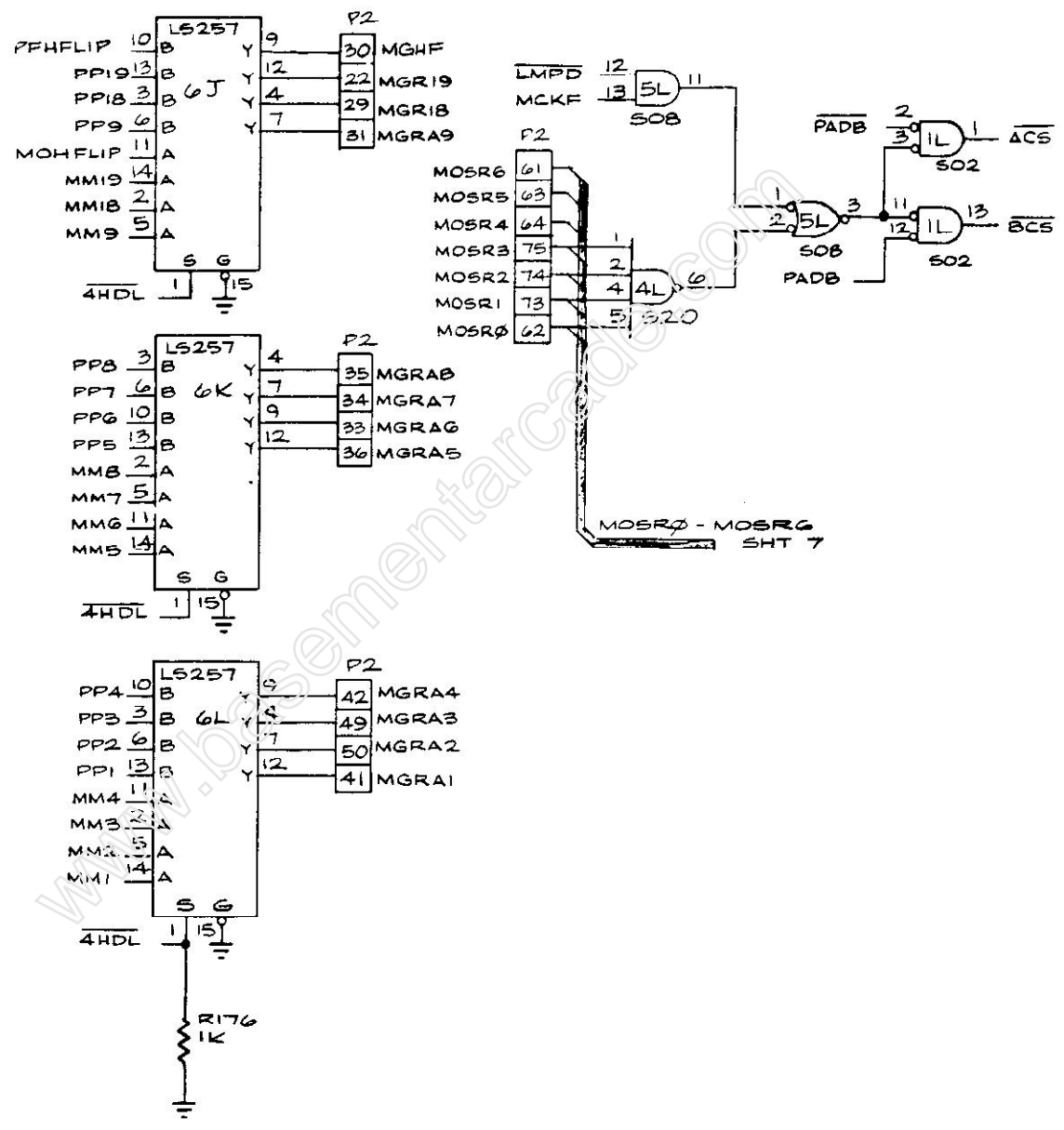
© 1987 Atari Games Corporation

SP-298 Sheet 8
1st printing

24



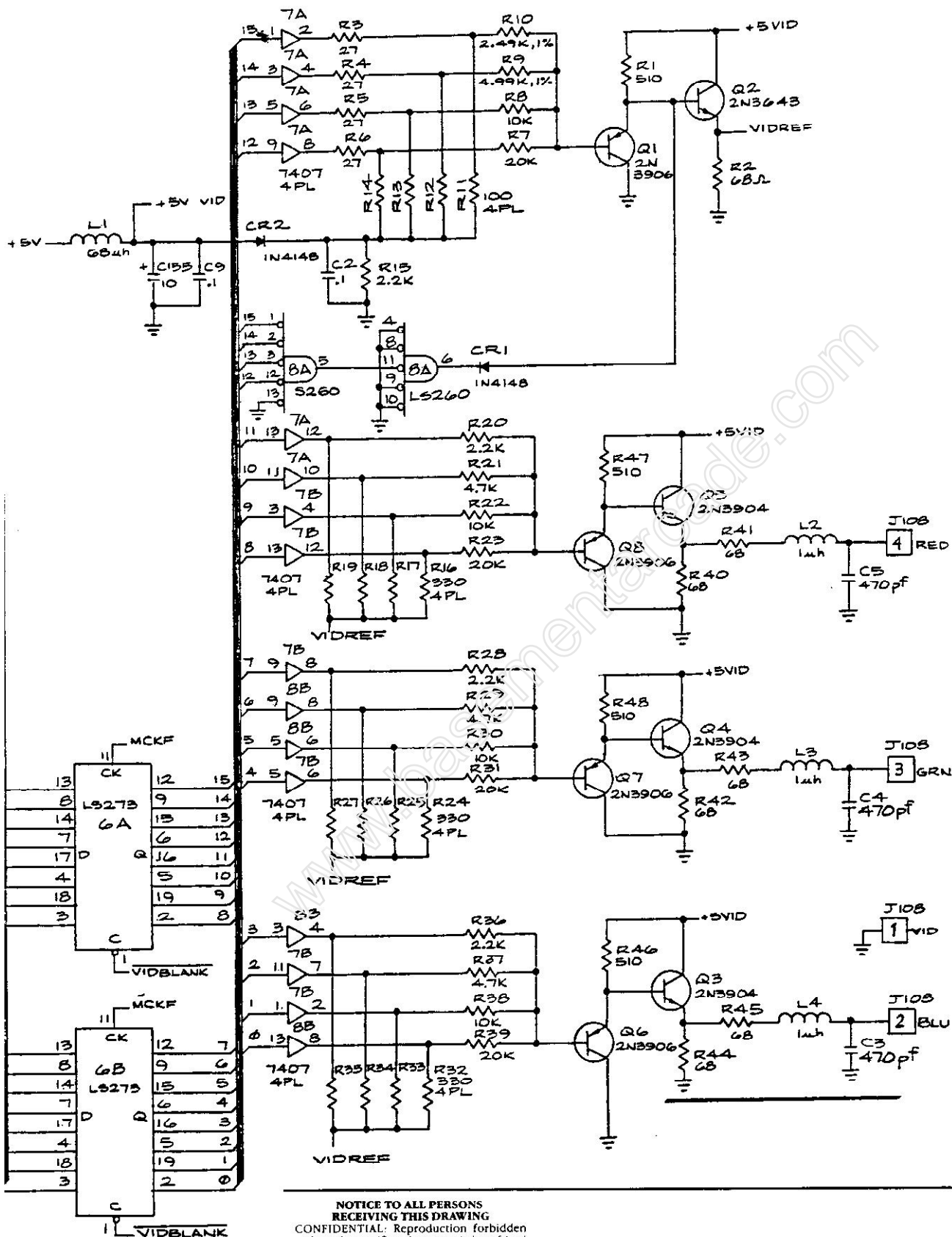
- 2 MM7
- 3 MM6
- MM5
- MM4



NOTICE TO ALL PERSONS RECEIVING THIS DRAWING
 CONFIDENTIAL: Reproduction forbidden without the specific written permission of Atari Games Corporation, Milpitas, CA. This drawing is only conditionally issued, and neither receipt nor possession thereof confers or transfers any right in, or license to use, the subject matter of the drawing or any design or technical information shown thereon. nor any right to reproduce this drawing or any part thereof. Except for manufacture by vendors of Atari Games Corporation, and for manufacture under the corporation's written license, no right is granted to reproduce this drawing or the subject matter thereof, unless by written agreement with or written permission from the corporation.



Road Blasters™ /System I LSI Main PCB Schematic Diagram



NOTICE TO ALL PERSONS RECEIVING THIS DRAWING

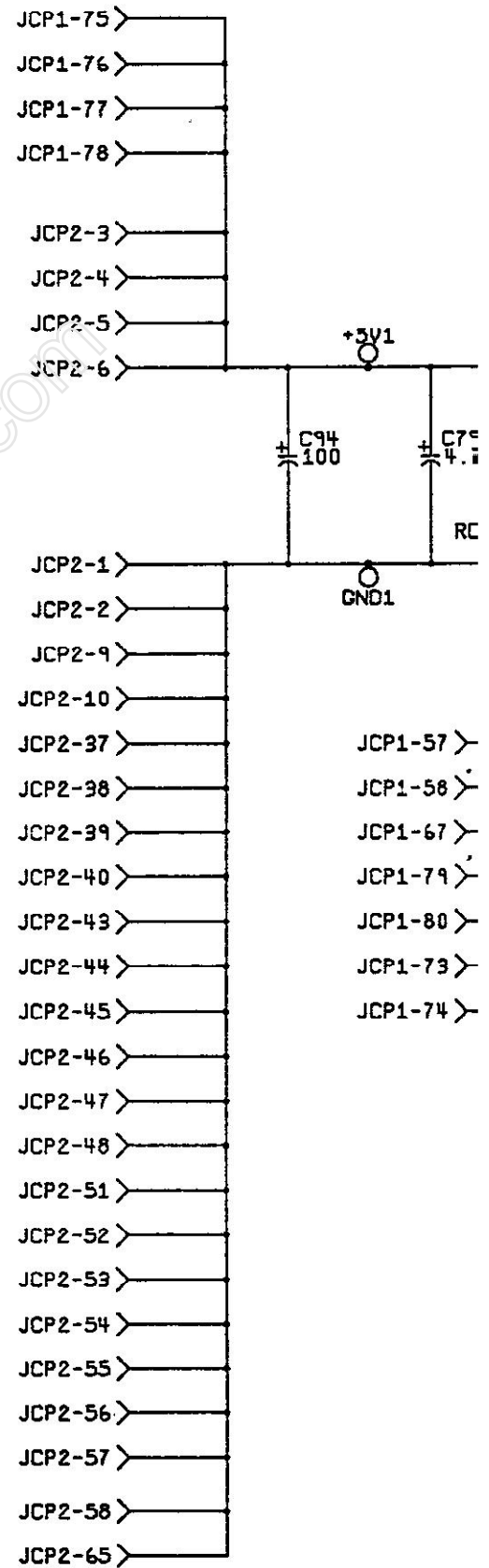
CONFIDENTIAL: Reproduction forbidden without the specific written permission of Atari Games Corporation, Milpitas, CA. This drawing is only conditionally issued, and neither receipt nor possession thereof confers or transfers any right in, or license to use, the subject matter of the drawing or any design or technical information shown thereon, nor any right to reproduce this drawing or any part thereof. Except for manufacture by vendors of Atari Games Corporation, and for manufacture under the corporation's written license, no right is granted to reproduce this drawing or the subject matter thereof, unless by written agreement with or written permission from the corporation.

**Road Blasters™ /System I LSI Main
PCB Schematic Diagram**

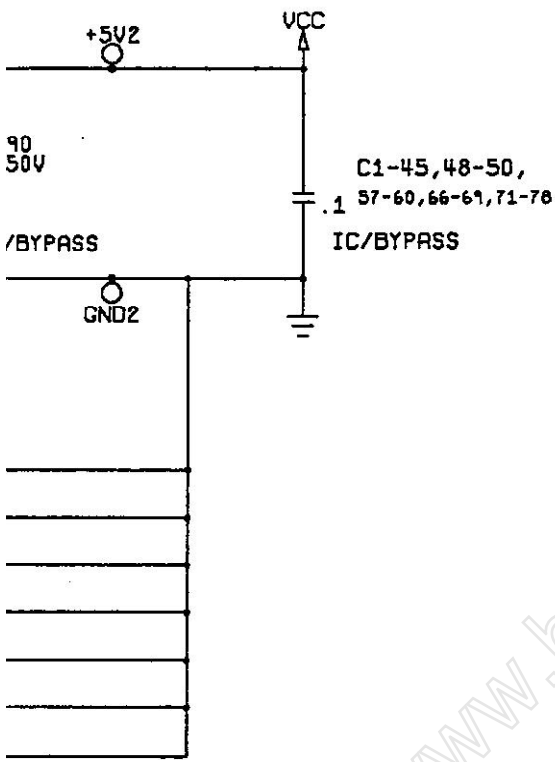


© 1987 Atari Games Corporation

SP-298 Sheet 10
1st printing



www.basementarcade.com



www.basementarcade.com

NOTICE TO ALL PERSONS RECEIVING THIS DRAWING

CONFIDENTIAL: Reproduction forbidden without the specific written permission of Atari Games Corporation, Milpitas, CA. This drawing is only conditionally issued, and neither receipt nor possession thereof confers or transfers any right in, or license to use, the subject matter of the drawing or any design or technical information shown thereon, nor any right to reproduce this drawing or any part thereof. Except for manufacture by vendors of Atari Games Corporation, and for manufacture under the corporation's written license, no right is granted to reproduce this drawing or the subject matter thereof, unless by written agreement with or written permission from the corporation.

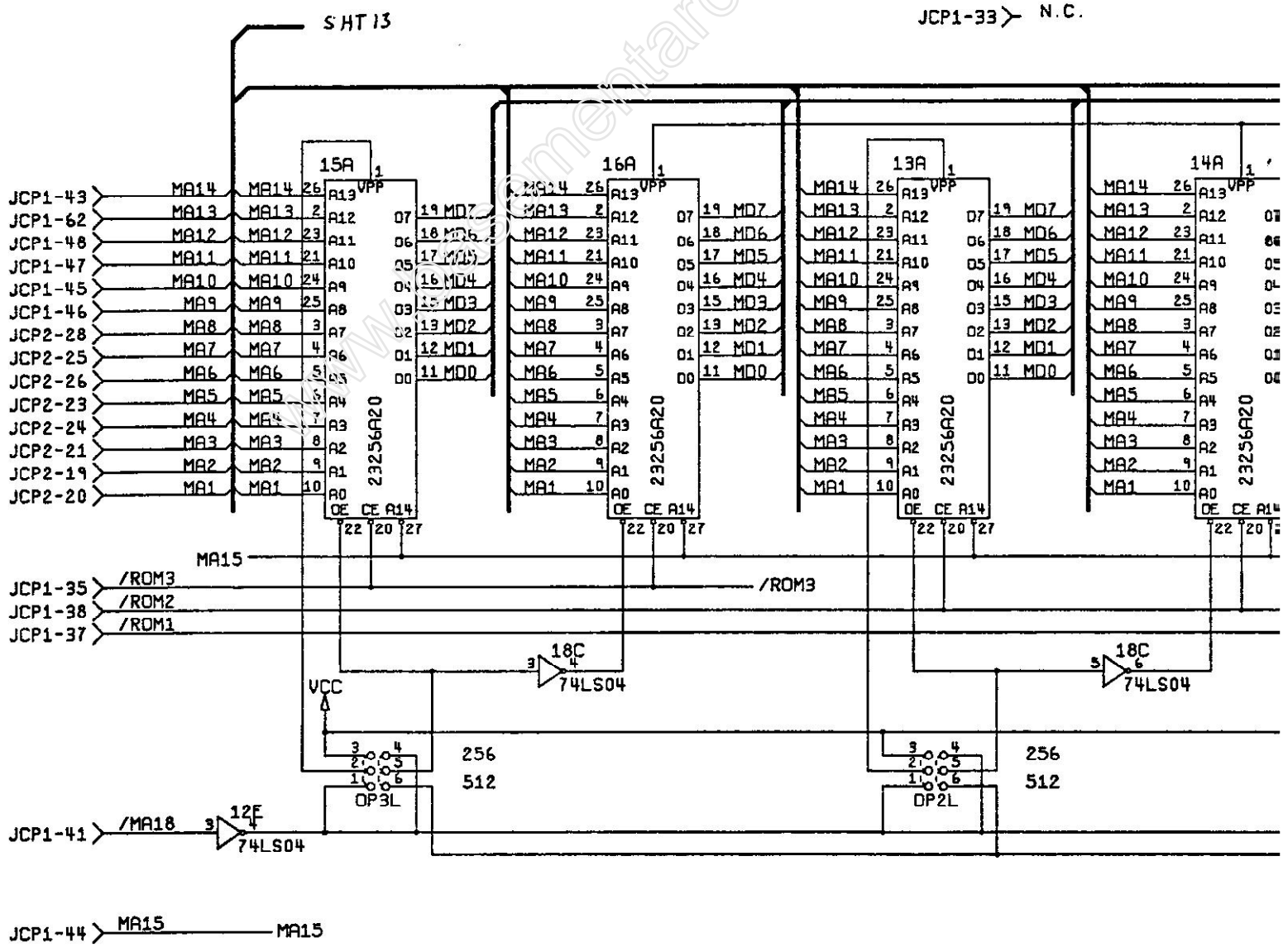


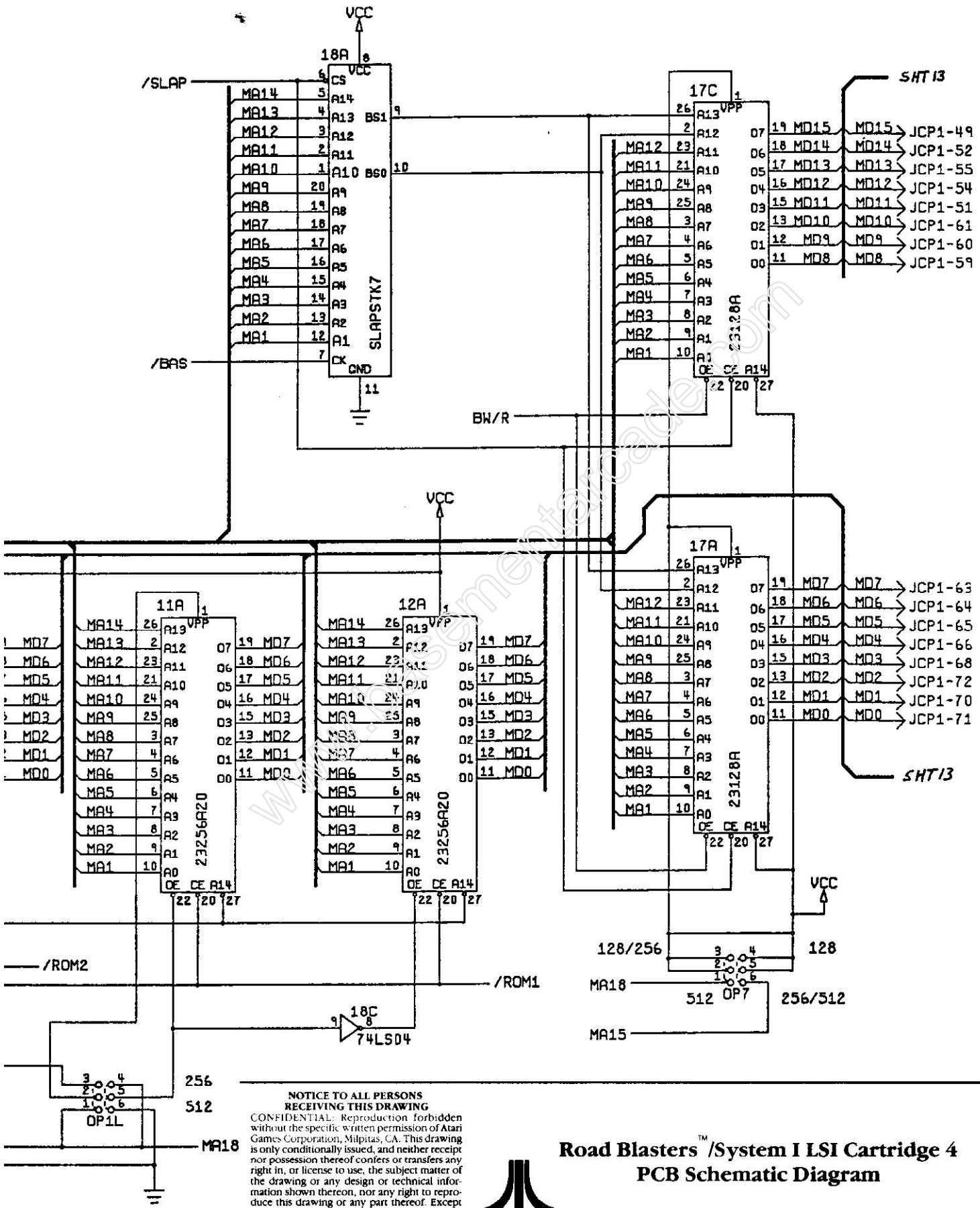
**Road Blasters™ /System I LSI Cartridge 4
PCB Schematic Diagram**

© 1987 Atari Games Corporation

**SP-298 Sheet 11
1st printing**

- JCP1-36 > /SLAP
- JCP1-34 > /BAS
- JCP1-50 > BW/R
- JCP1-40 > (N.C.) /INT1
- JCP1-19 > (N.C.) /WAIT
- JCP1-32 > (N.C.) /BLDS
- JCP2-80 > N.C.
- JCP2-79 > N.C.
- JCP2-78 > N.C.
- JCP1-42 > N.C.
- JCP1-56 > N.C.
- JCP2-77 > N.C.
- JCP1-33 > N.C.





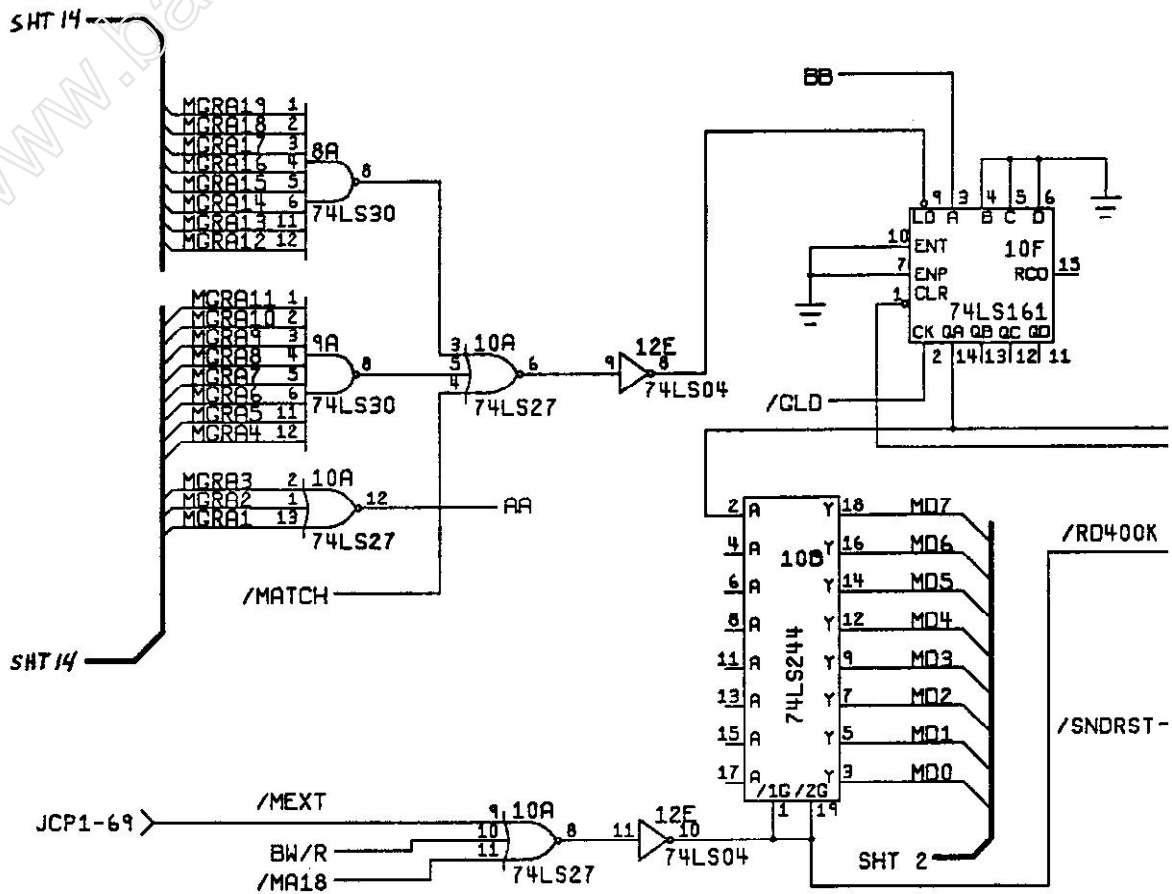
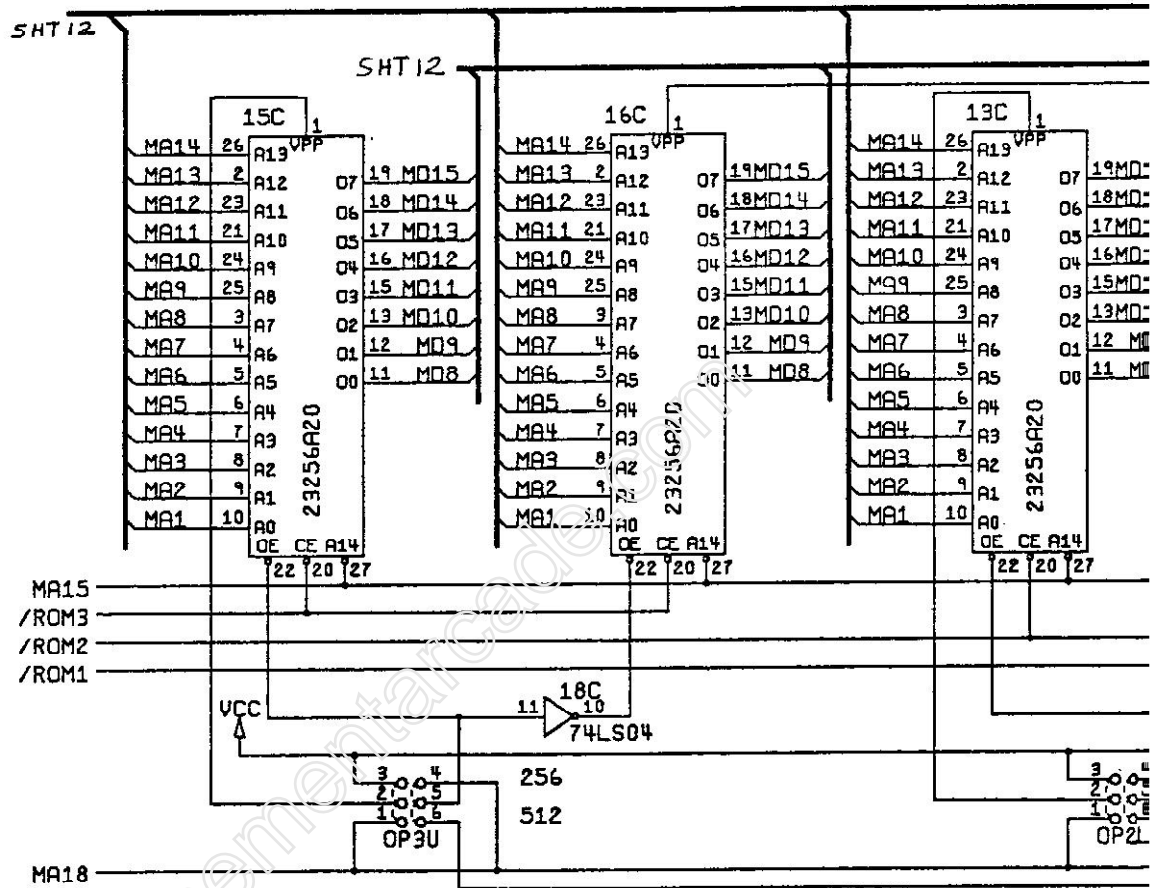
NOTICE TO ALL PERSONS RECEIVING THIS DRAWING
 CONFIDENTIAL: Reproduction forbidden without the specific written permission of Atari Games Corporation, Milpitas, CA. This drawing is only conditionally issued, and neither receipt nor possession thereof confers or transfers any right in, or license to use, the subject matter of the drawing or any design or technical information shown thereon, nor any right to reproduce this drawing or any part thereof. Except for manufacture by vendors of Atari Games Corporation, and for manufacture under the corporation's written license, no right is granted to reproduce this drawing or the subject matter thereof, unless by written agreement with or written permission from the corporation.

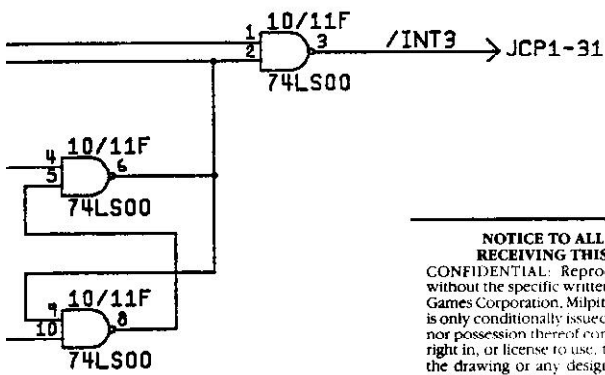
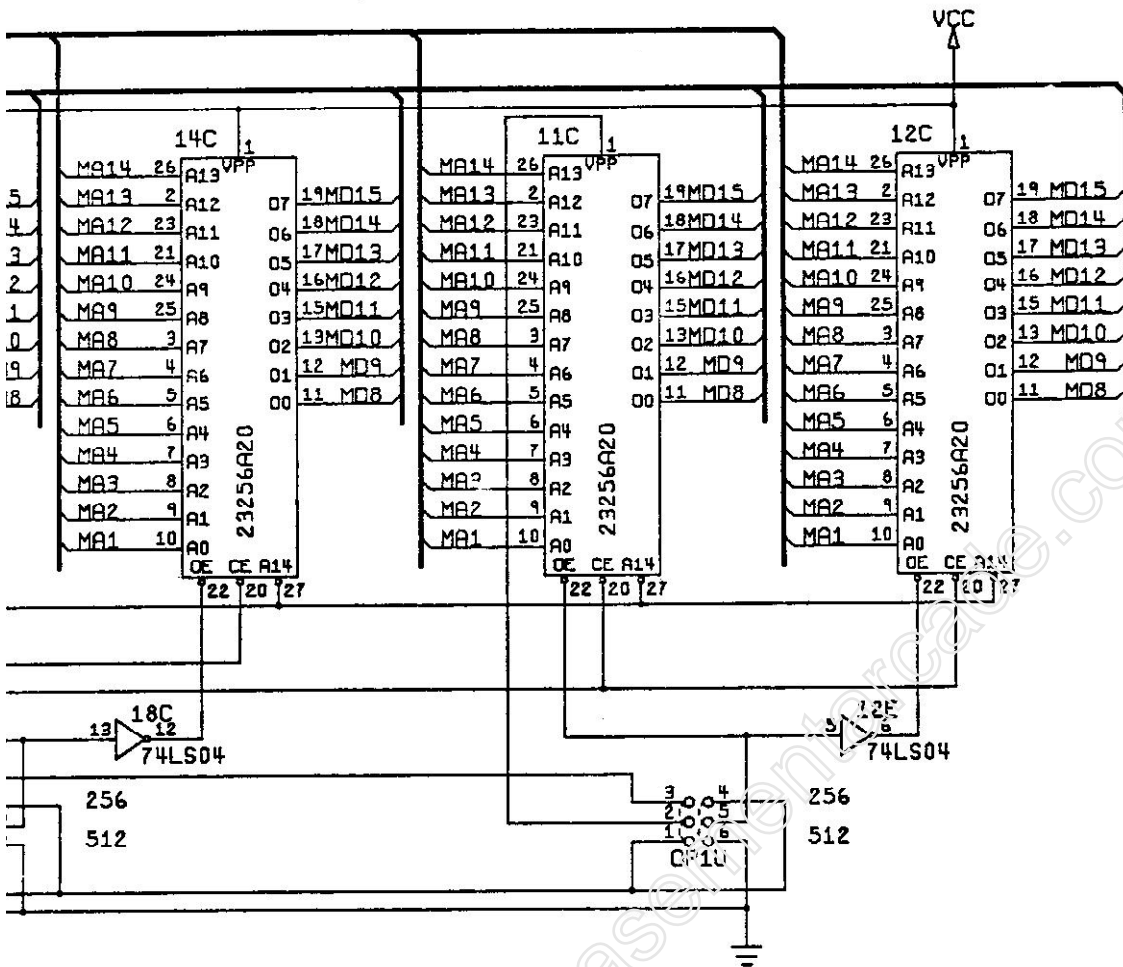


**Road Blasters™ /System I LSI Cartridge 4
 PCB Schematic Diagram**

© 1987 Atari Games Corporation

SP-298 Sheet 12
 1st printing





NOTICE TO ALL PERSONS RECEIVING THIS DRAWING

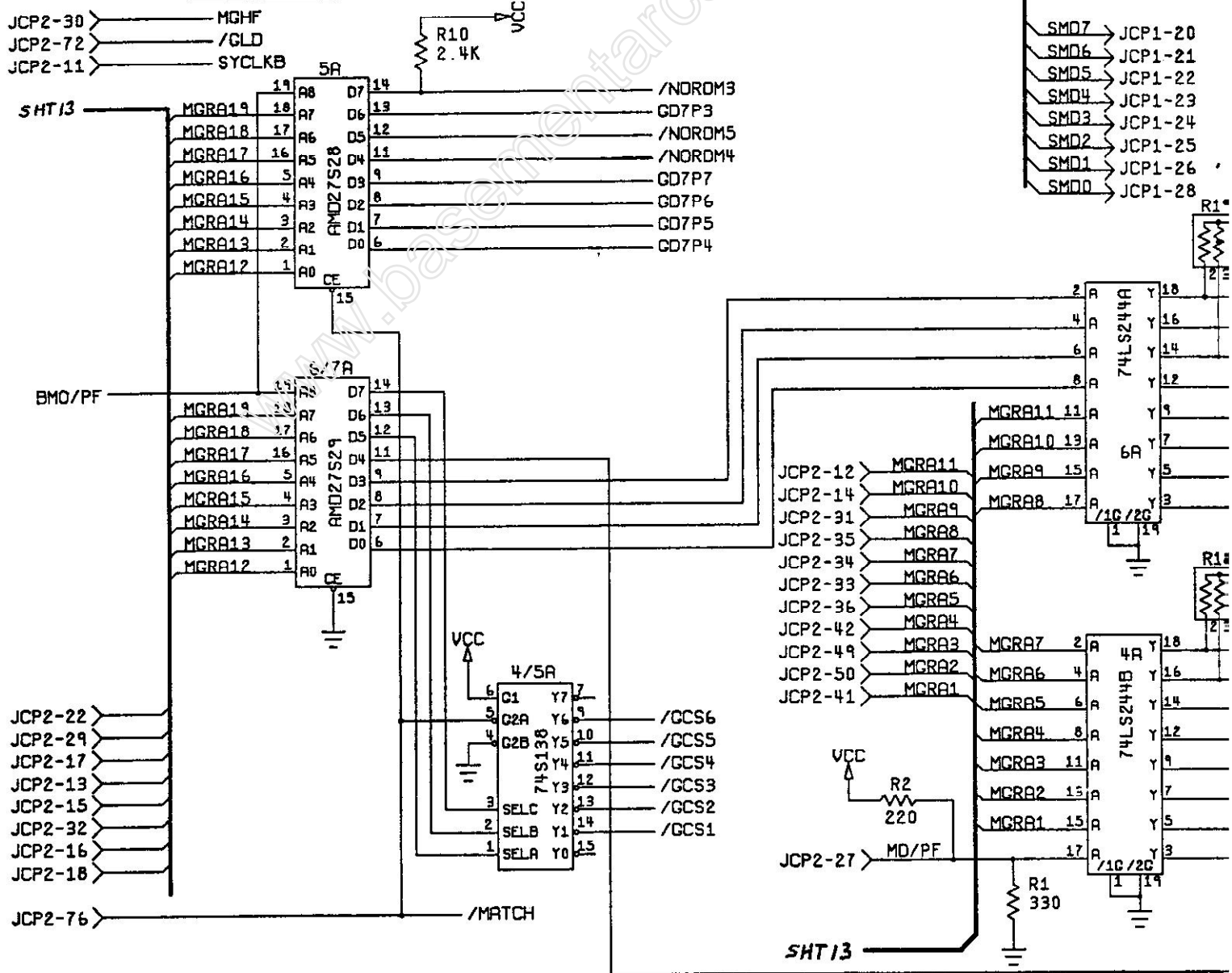
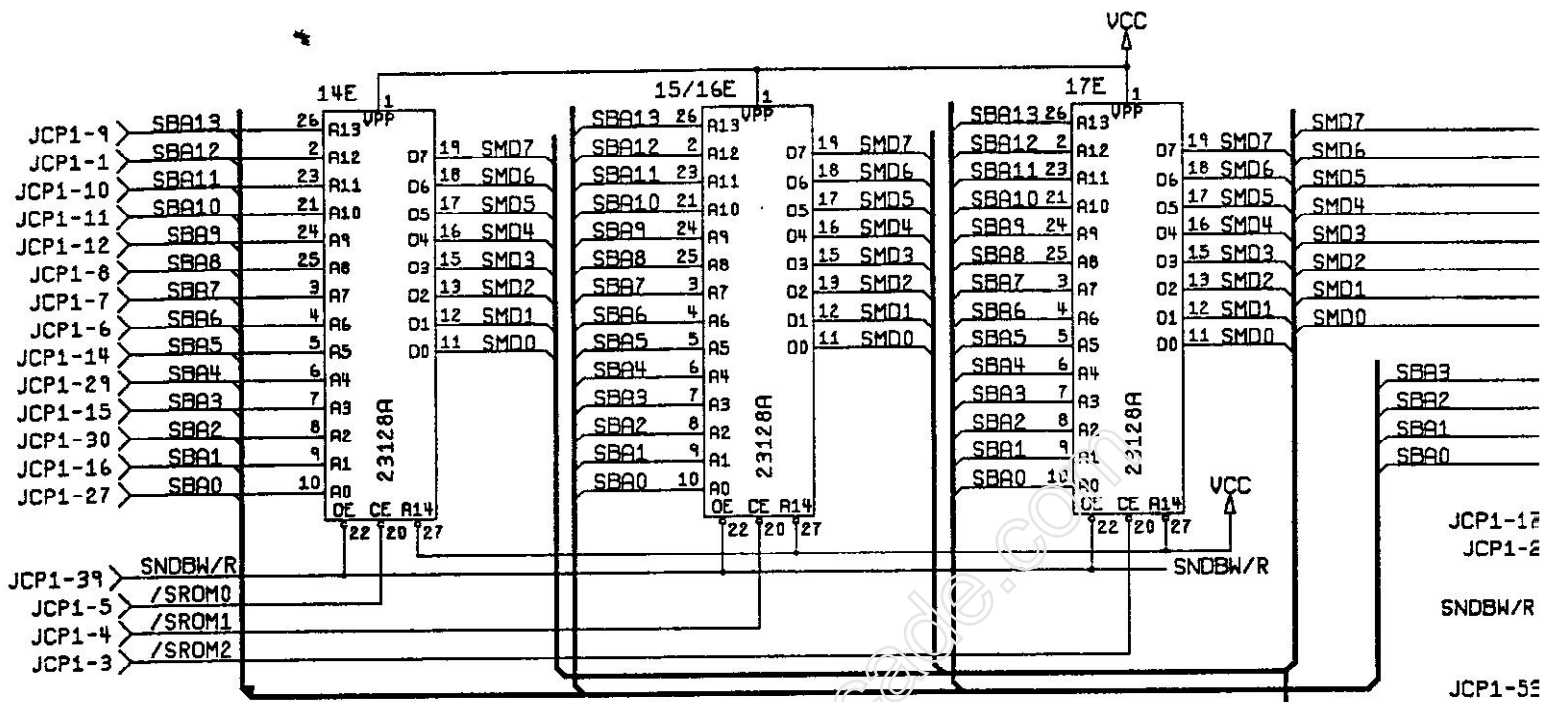
CONFIDENTIAL: Reproduction forbidden without the specific written permission of Atari Games Corporation, Milpitas, CA. This drawing is only conditionally issued, and neither receipt nor possession thereof confers or transfers any right in, or license to use, the subject matter of the drawing or any design or technical information shown thereon, nor any right to reproduce this drawing or any part thereof. Except for manufacture by vendors of Atari Games Corporation, and for manufacture under the corporation's written license, no right is granted to reproduce this drawing or the subject matter thereof, unless by written agreement with or written permission from the corporation.

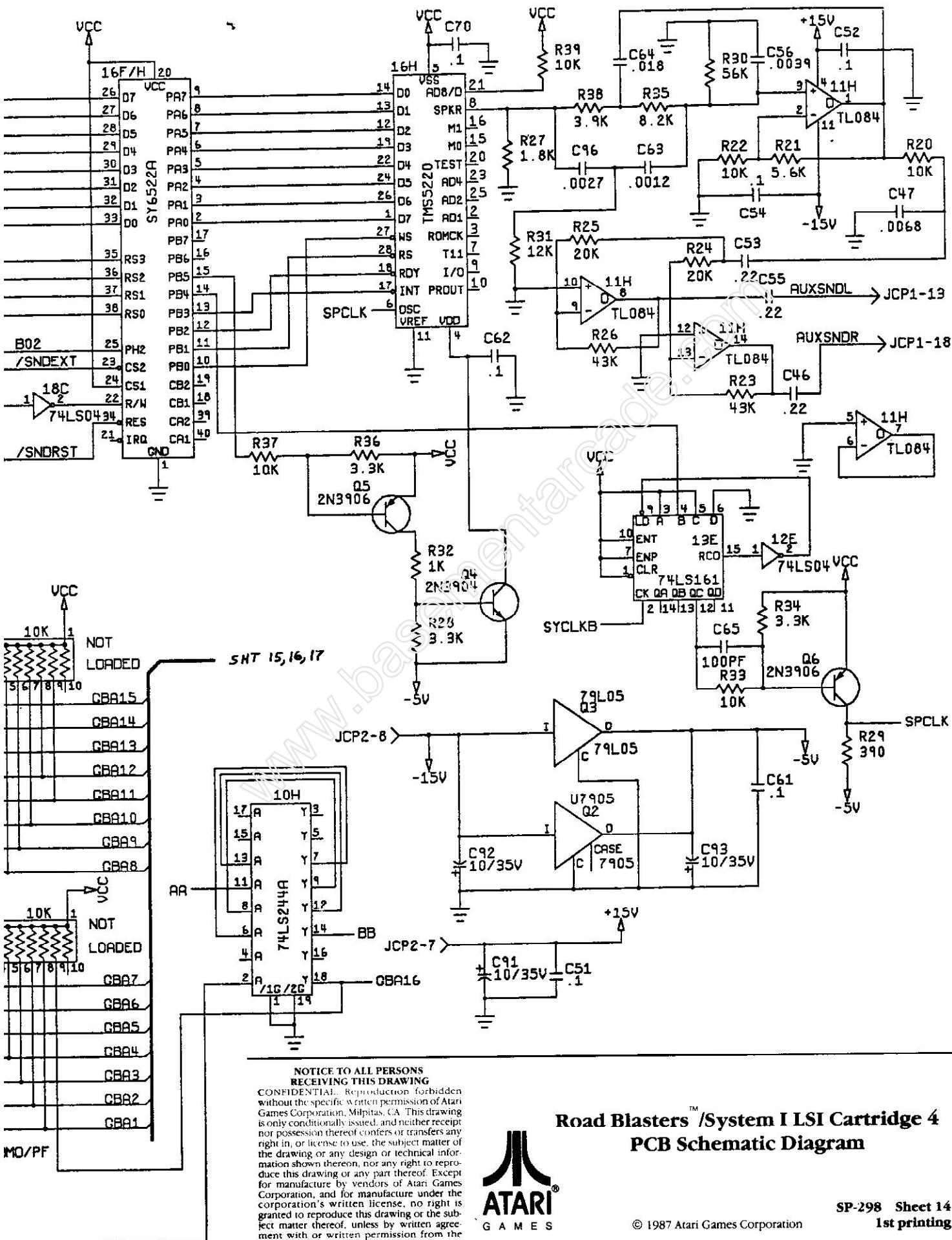


Road Blasters™ /System I LSI Cartridge 4 PCB Schematic Diagram

© 1987 Atari Games Corporation

SP-298 Sheet 13
1st printing





NOTICE TO ALL PERSONS RECEIVING THIS DRAWING
 CONFIDENTIAL. Reproduction forbidden without the specific written permission of Atari Games Corporation, Milpitas, CA. This drawing is only conditionally issued, and neither receipt nor possession thereof confers or transfers any right in, or license to use, the subject matter of the drawing or any design or technical information shown thereon, nor any right to reproduce this drawing or any part thereof. Except for manufacture by vendors of Atari Games Corporation, and for manufacture under the corporation's written license, no right is granted to reproduce this drawing or the subject matter thereof, unless by written agreement with or written permission from the corporation.

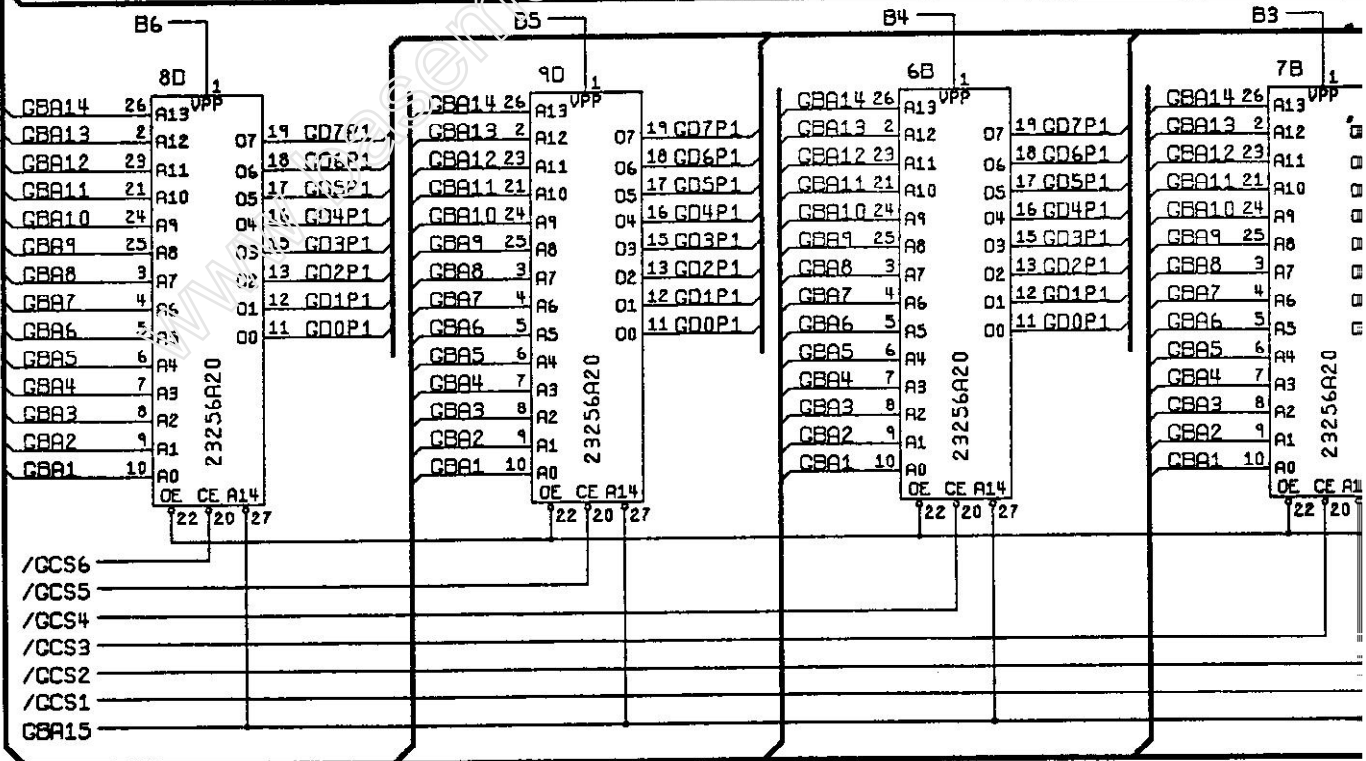
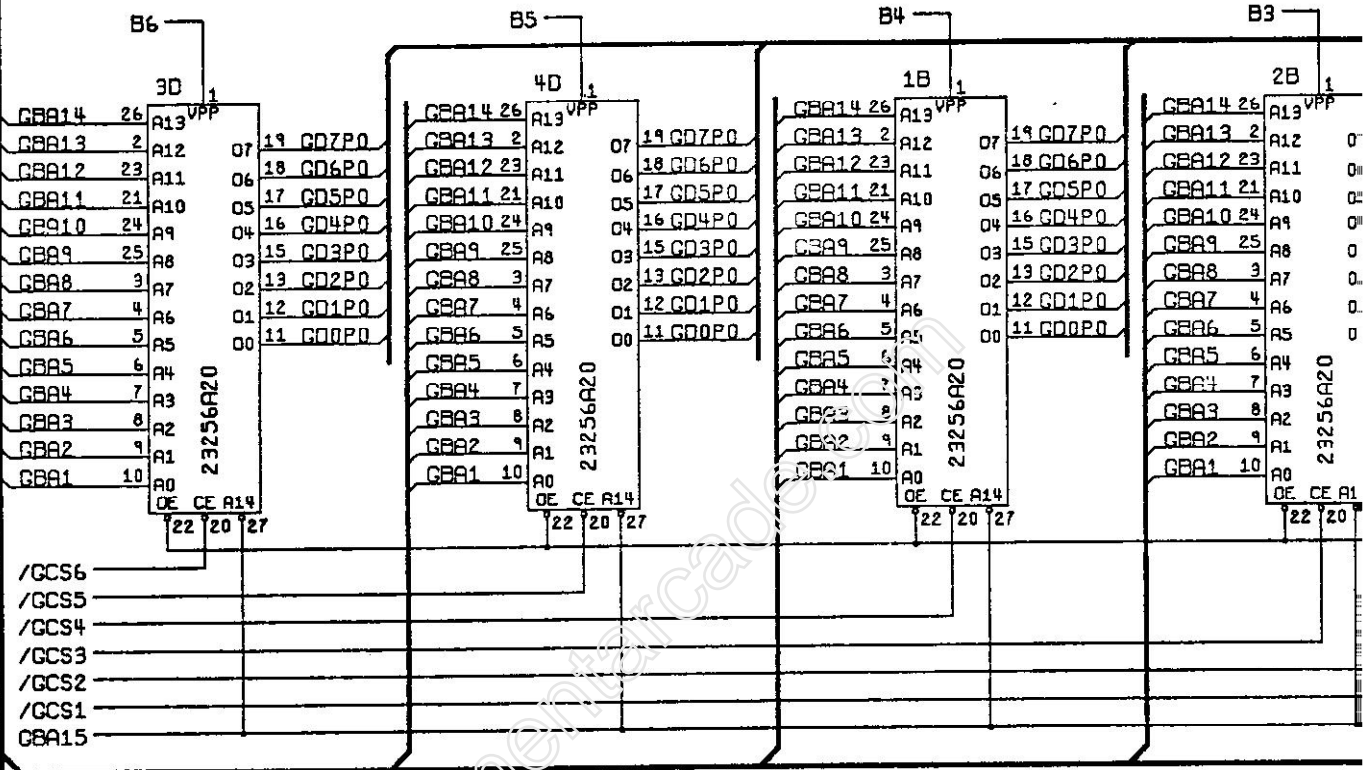
Road Blasters™ /System I LSI Cartridge 4 PCB Schematic Diagram

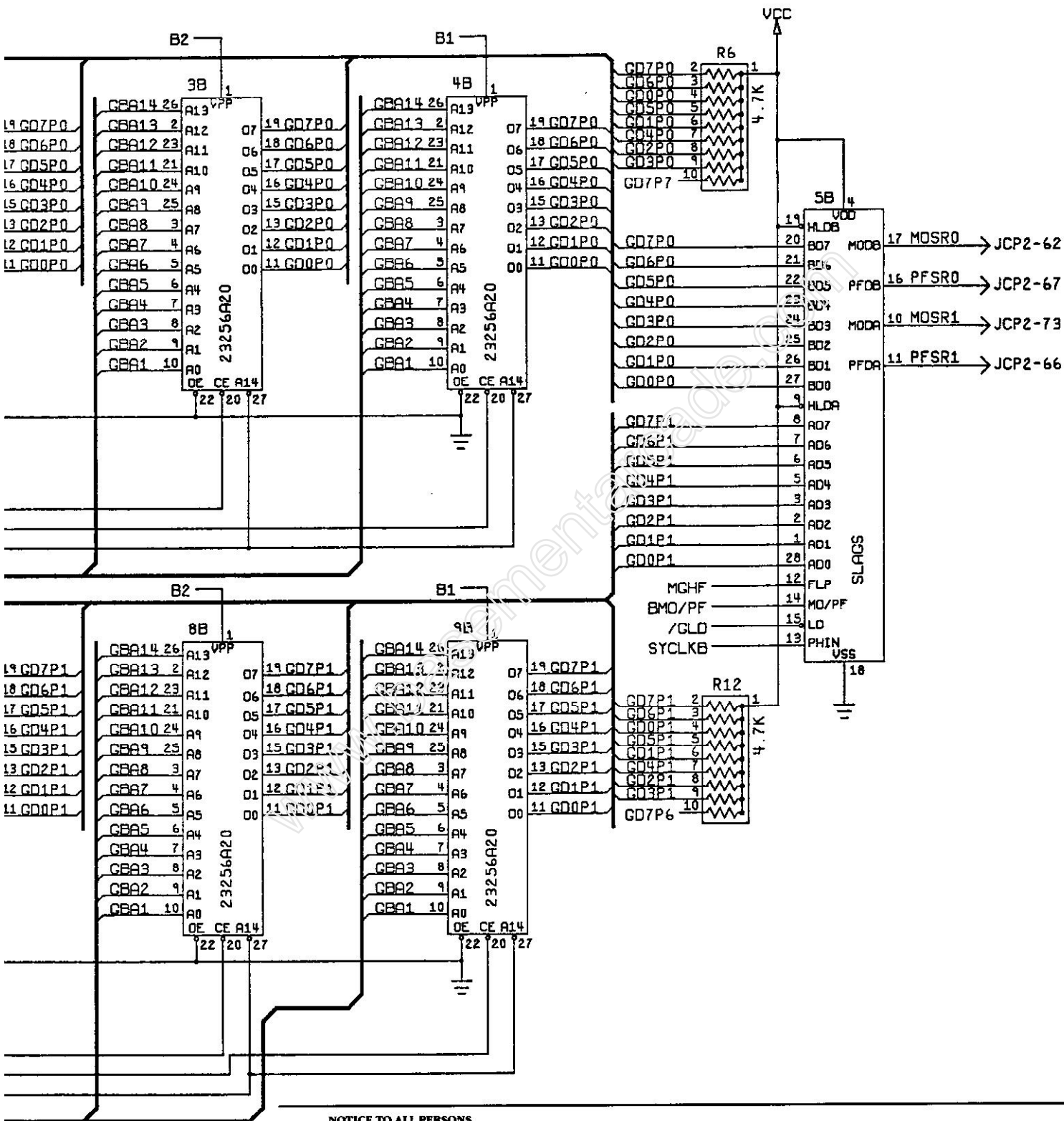


© 1987 Atari Games Corporation

SP-298 Sheet 14
 1st printing

SHT 14





NOTICE TO ALL PERSONS RECEIVING THIS DRAWING

CONFIDENTIAL: Reproduction forbidden without the specific written permission of Atari Games Corporation, Milpitas, CA. This drawing is only conditionally issued, and neither receipt nor possession thereof confers or transfers any right in, or license to use, the subject matter of the drawing or any design or technical information shown thereon, nor any right to reproduce this drawing or any part thereof. Except for manufacture by vendors of Atari Games Corporation, and for manufacture under the corporation's written license, no right is granted to reproduce this drawing or the subject matter thereof, unless by written agreement with or written permission from the corporation.

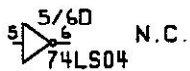
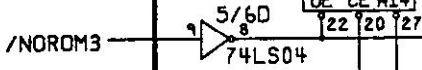
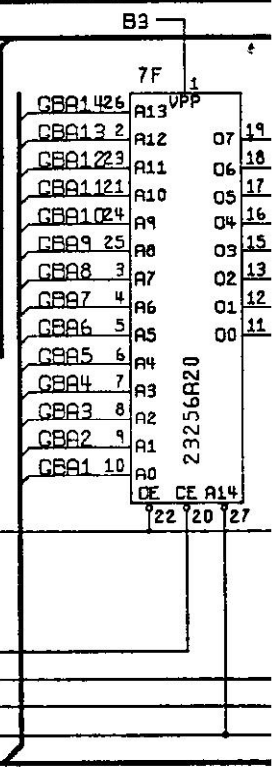
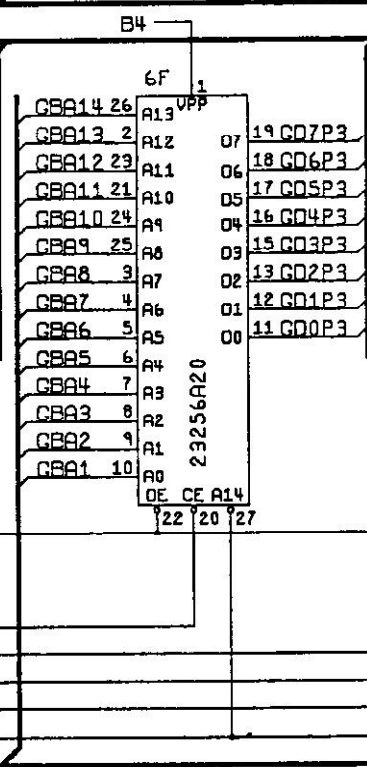
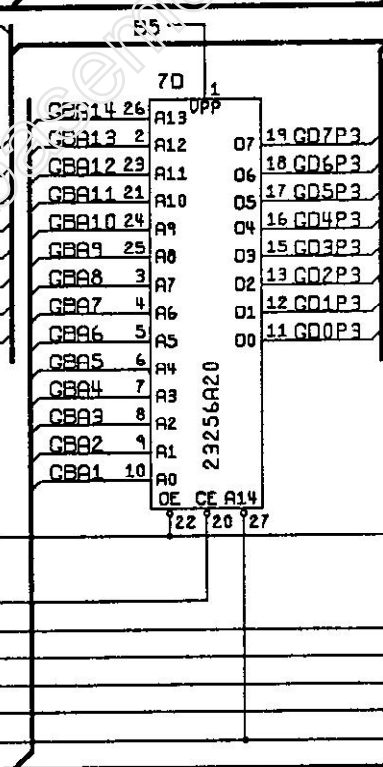
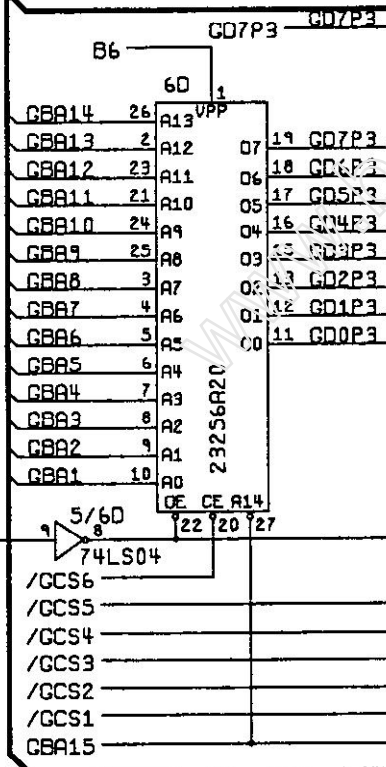
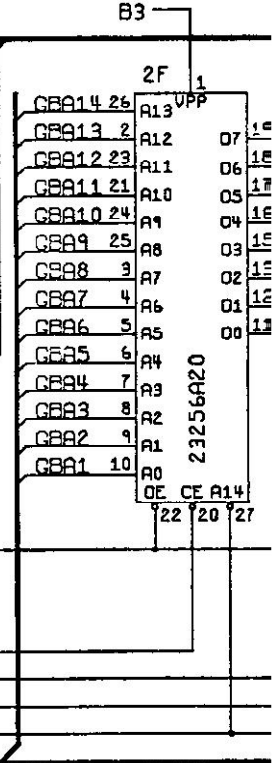
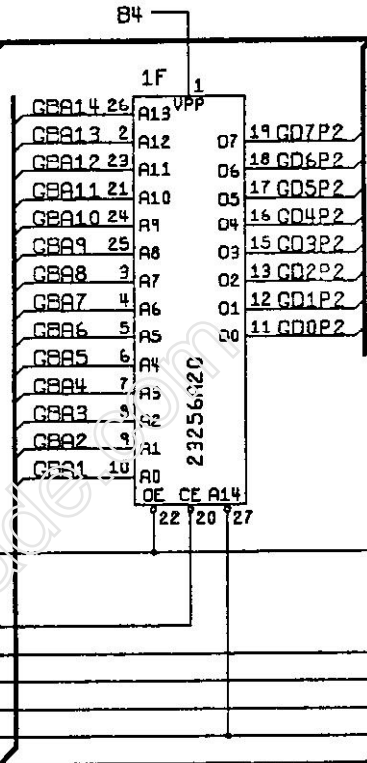
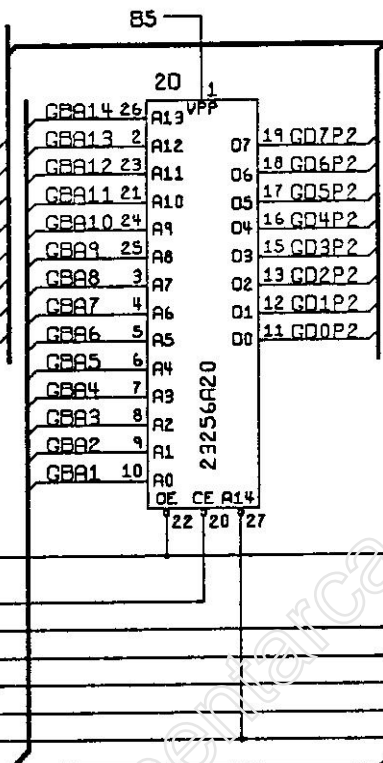
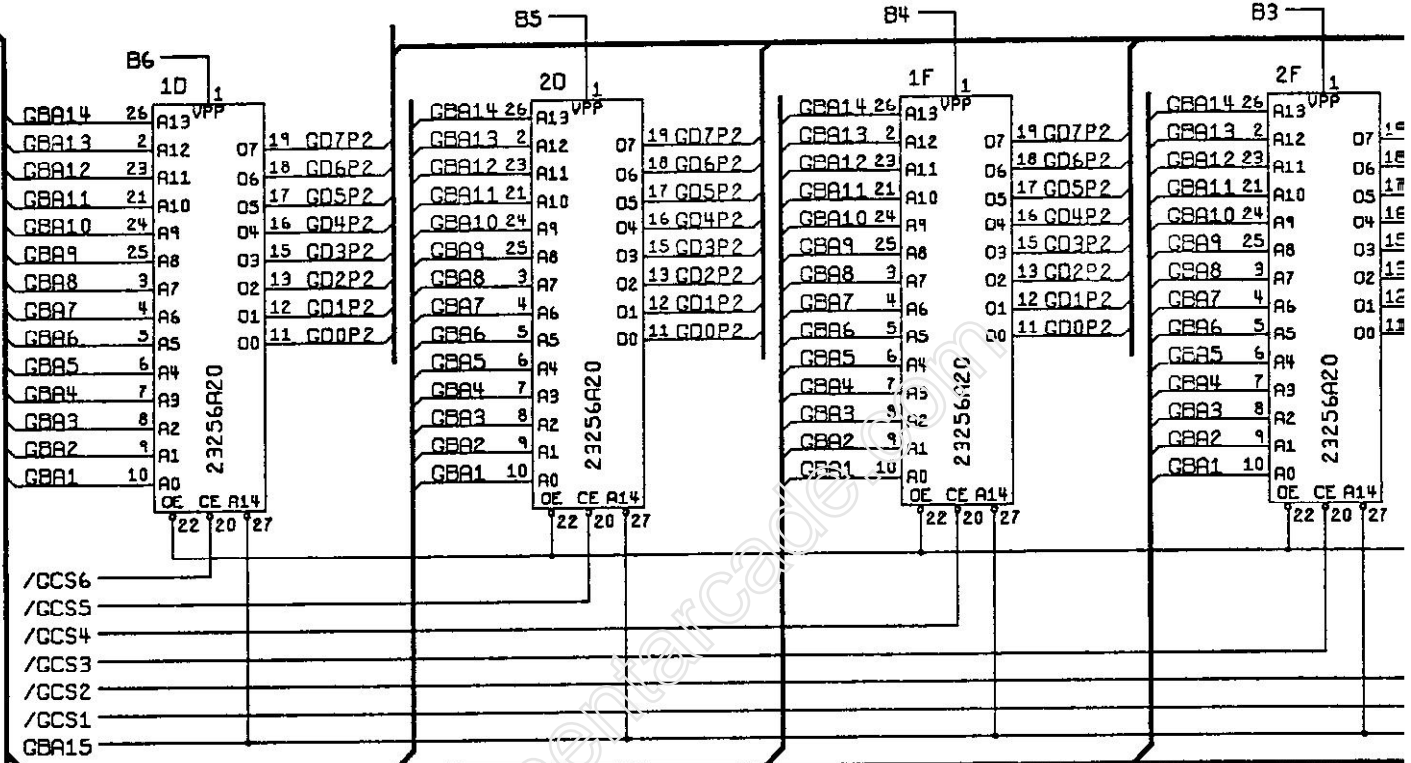


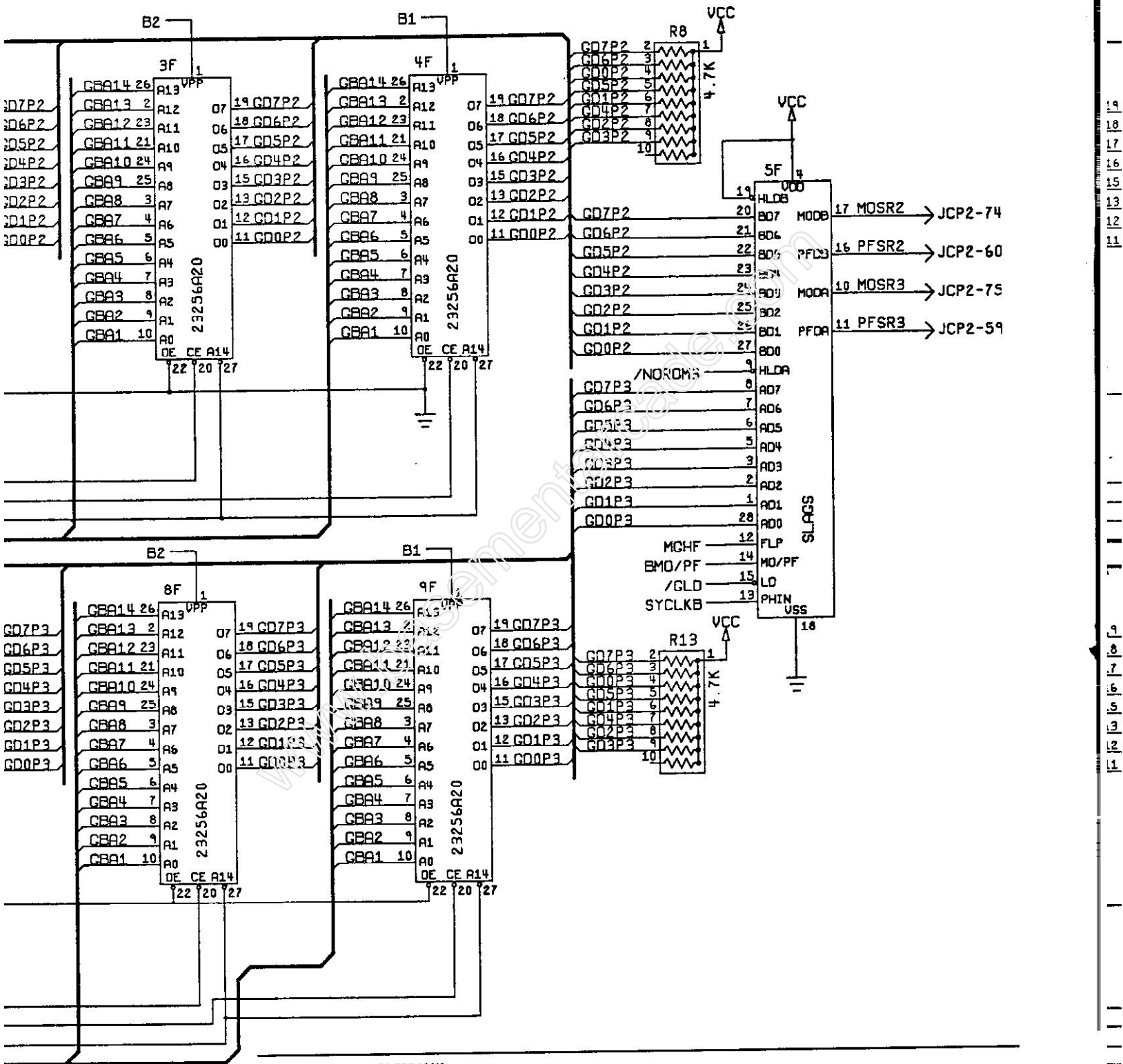
**Road Blasters™ /System I LSI Cartridge 4
PCB Schematic Diagram**

© 1987 Atari Games Corporation

SP-298 Sheet 15
1st printing

SHT14





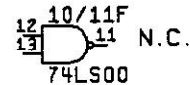
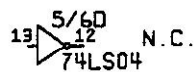
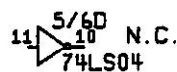
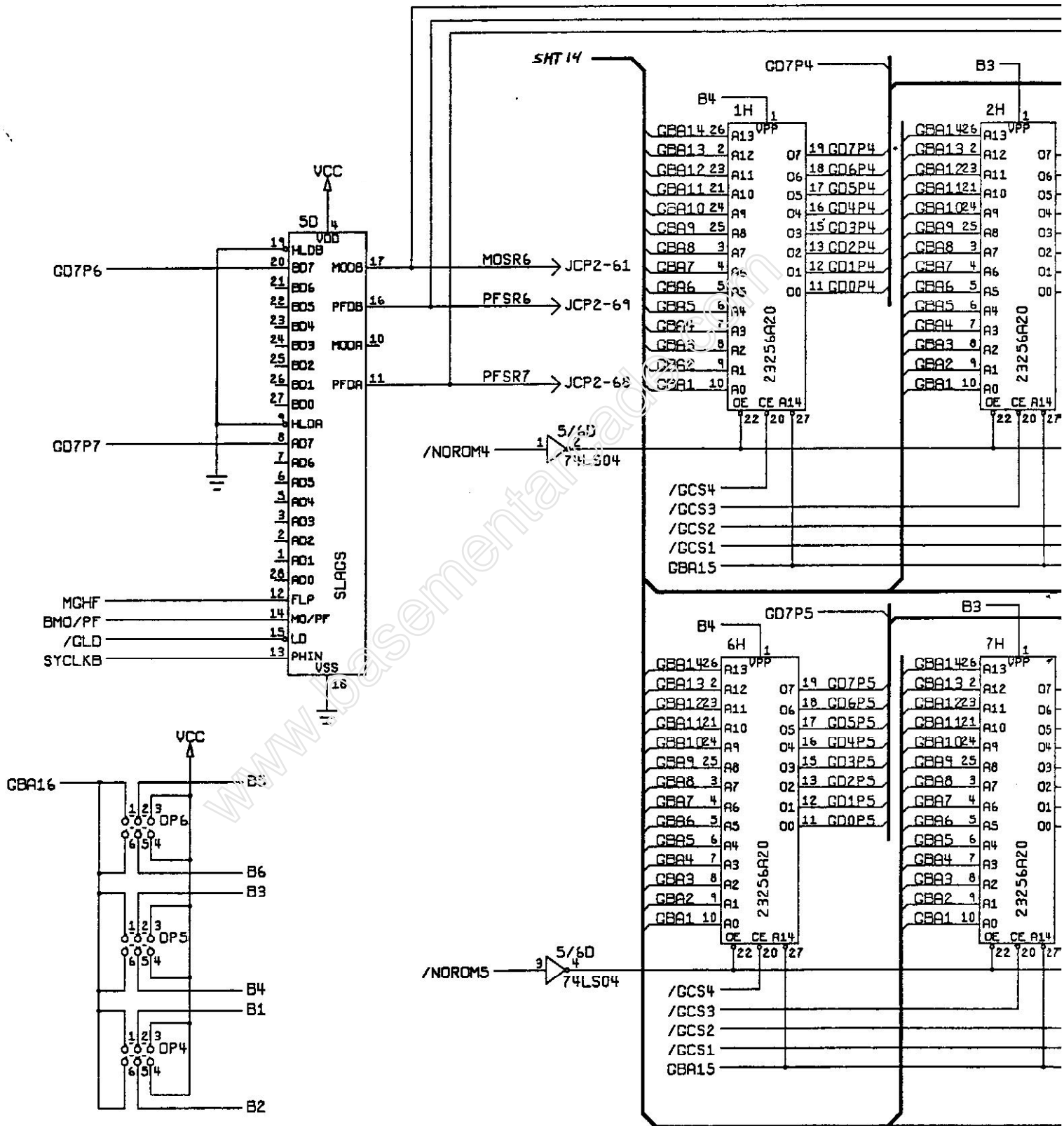
NOTICE TO ALL PERSONS RECEIVING THIS DRAWING
CONFIDENTIAL: Reproduction forbidden without the specific written permission of Atari Games Corporation, Milpitas, CA. This drawing is only conditionally issued, and neither receipt nor possession thereof confers or transfers any right in, or license to use, the subject matter of the drawing or any design or technical information shown thereon, nor any right to reproduce this drawing or any part thereof. Except for manufacture by vendors of Atari Games Corporation, and for manufacture under the corporation's written license, no right is granted to reproduce this drawing or the subject matter thereof, unless by written agreement with or written permission from the corporation.

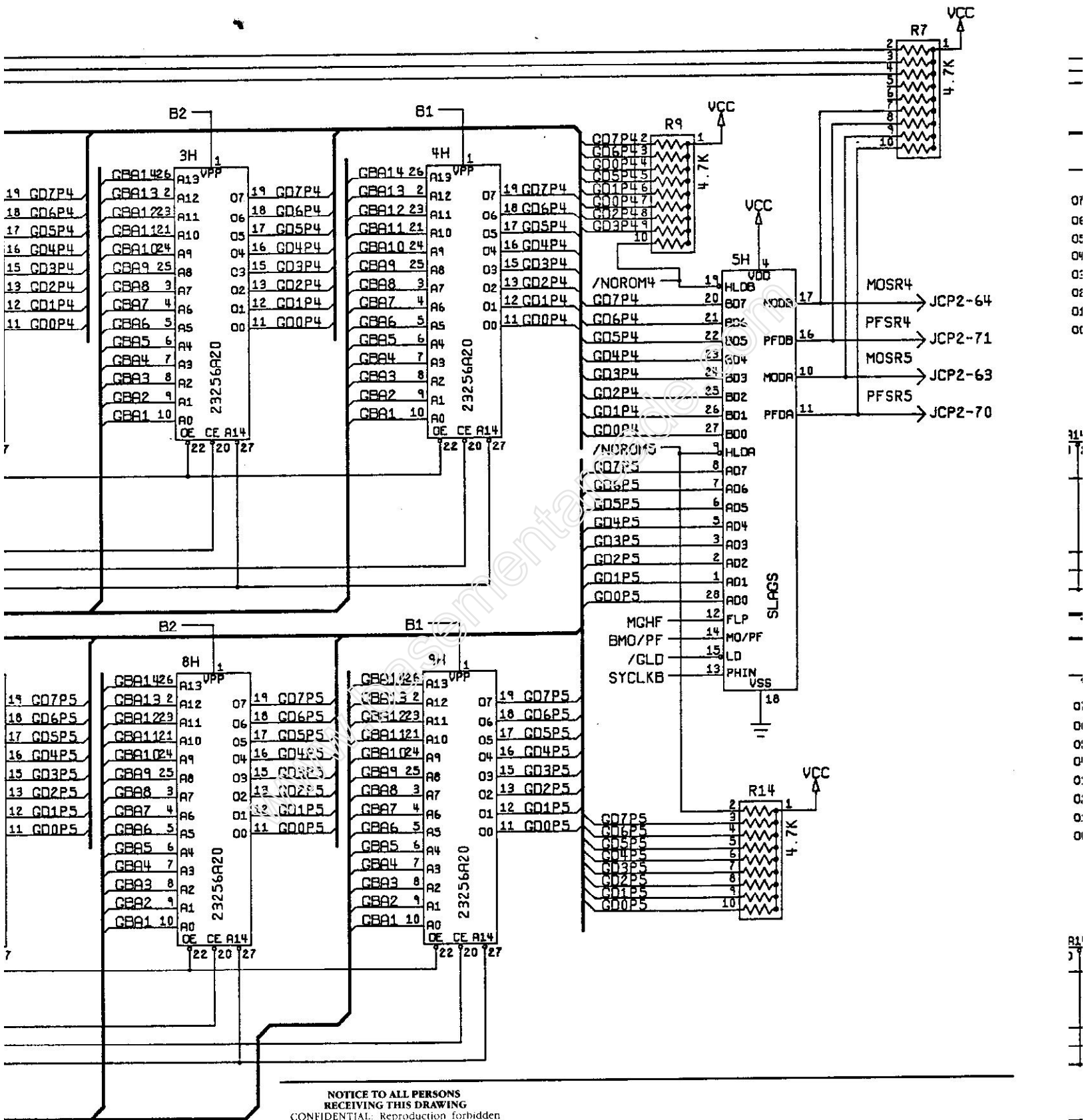
**Road Blasters™ /System I LSI Cartridge 4
 PCB Schematic Diagram**



© 1987 Atari Games Corporation

SP-298 Sheet 16
 1st printing





NOTICE TO ALL PERSONS RECEIVING THIS DRAWING

CONFIDENTIAL: Reproduction forbidden without the specific written permission of Atari Games Corporation, Milpitas, CA. This drawing is only conditionally issued, and neither receipt nor possession thereof confers or transfers any right in, or license to use, the subject matter of the drawing or any design or technical information shown thereon, nor any right to reproduce this drawing or any part thereof. Except for manufacture by vendors of Atari Games Corporation, and for manufacture under the corporation's written license, no right is granted to reproduce this drawing or the subject matter thereof, unless by written agreement with or written permission from the corporation.

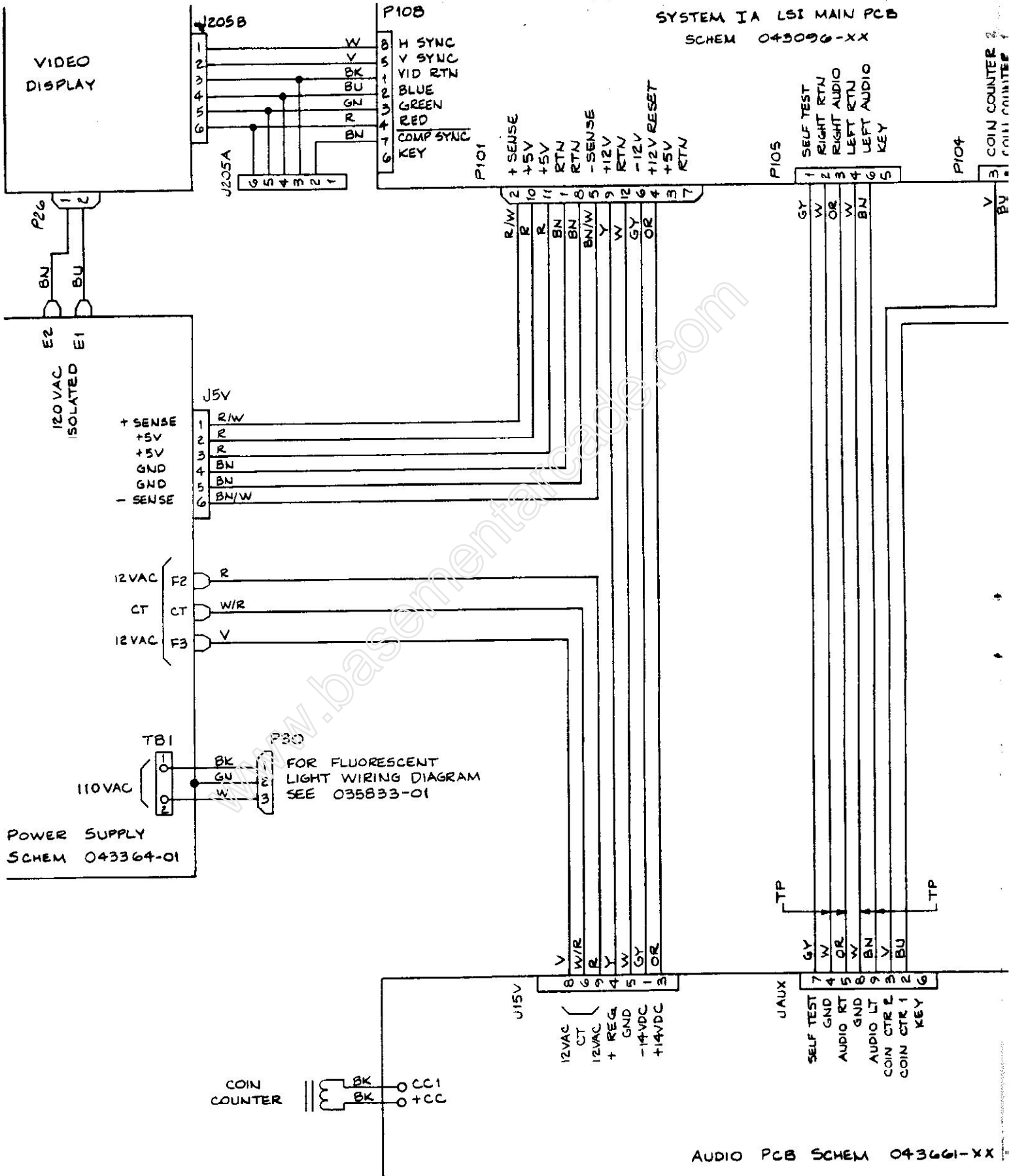


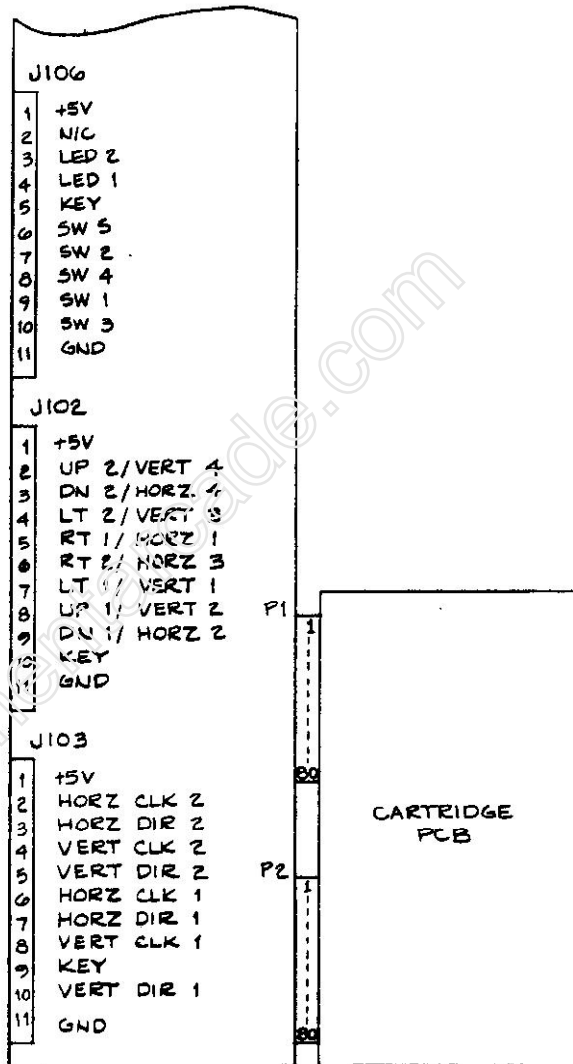
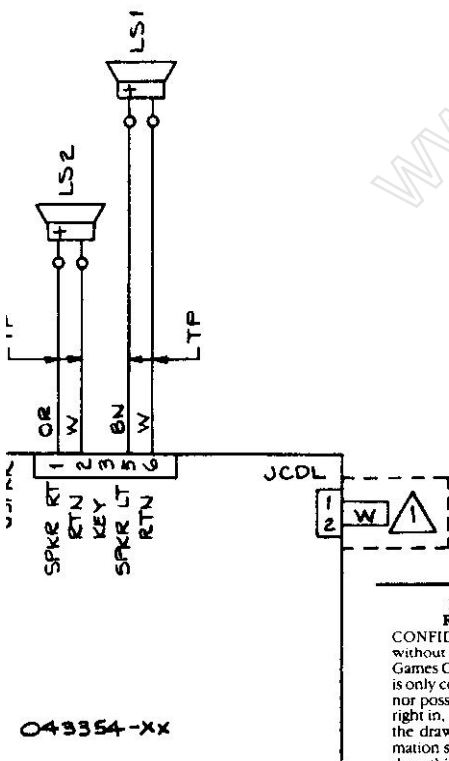
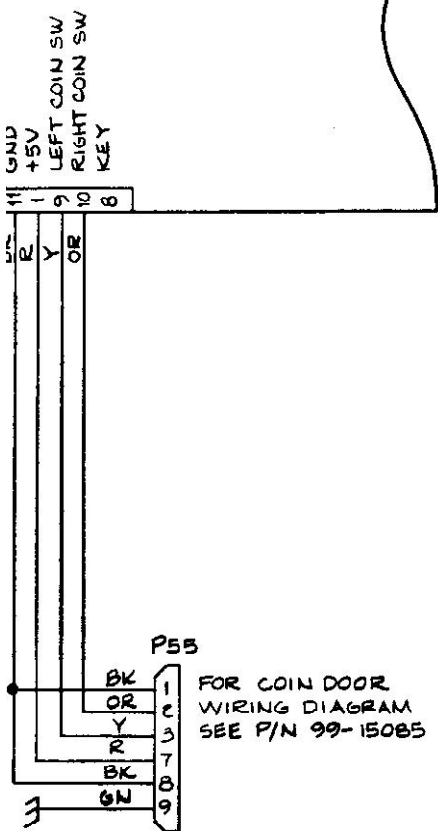
**Road Blasters™ /System I LSI Cartridge 4
PCB Schematic Diagram**

© 1987 Atari Games Corporation

SP-298 Sheet 17
1st printing

SYSTEM IA LSI MAIN PCB
SCHEM 043096-XX





NOTE

△ USED WITH AUDIO PCB A043661-XX ONLY.

NOTICE TO ALL PERSONS RECEIVING THIS DRAWING

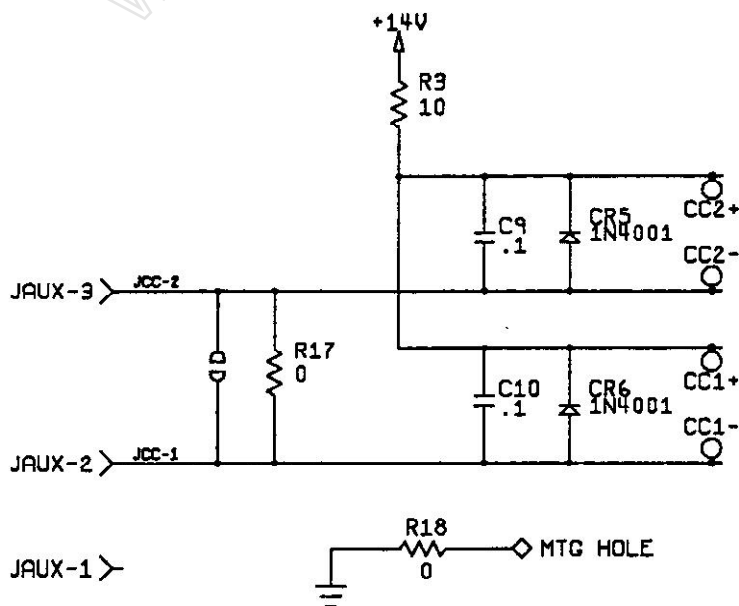
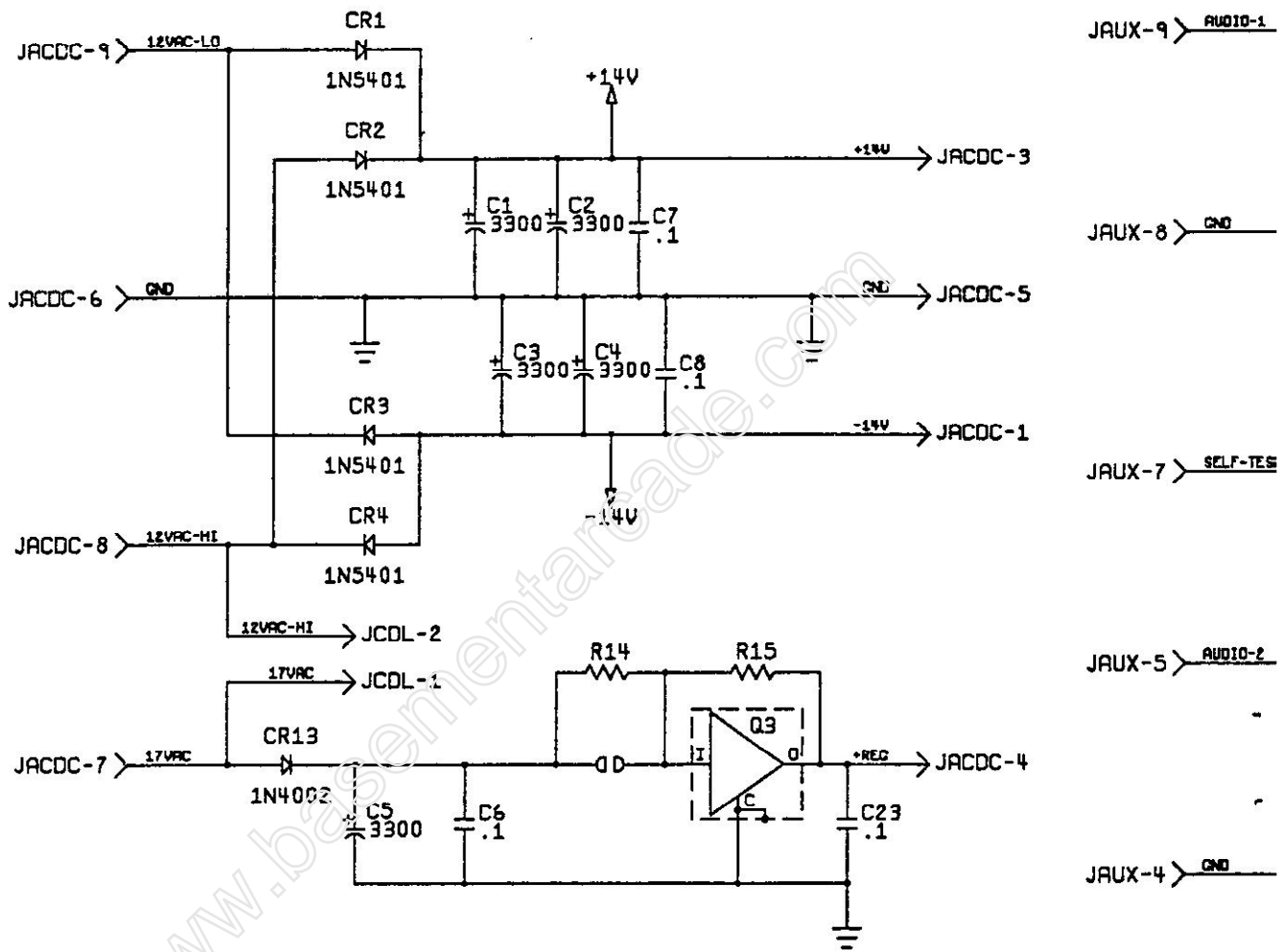
CONFIDENTIAL. Reproduction forbidden without the specific written permission of Atari Games Corporation, Milpitas, CA. This drawing is only conditionally issued, and neither receipt nor possession thereof confers or transfers any right in, or license to use, the subject matter of the drawing or any design or technical information shown thereon, nor any right to reproduce this drawing or any part thereof. Except for manufacture by vendors of Atari Games Corporation, and for manufacture under the corporation's written license, no right is granted to reproduce this drawing or the subject matter thereof, unless by written agreement with or written permission from the corporation.



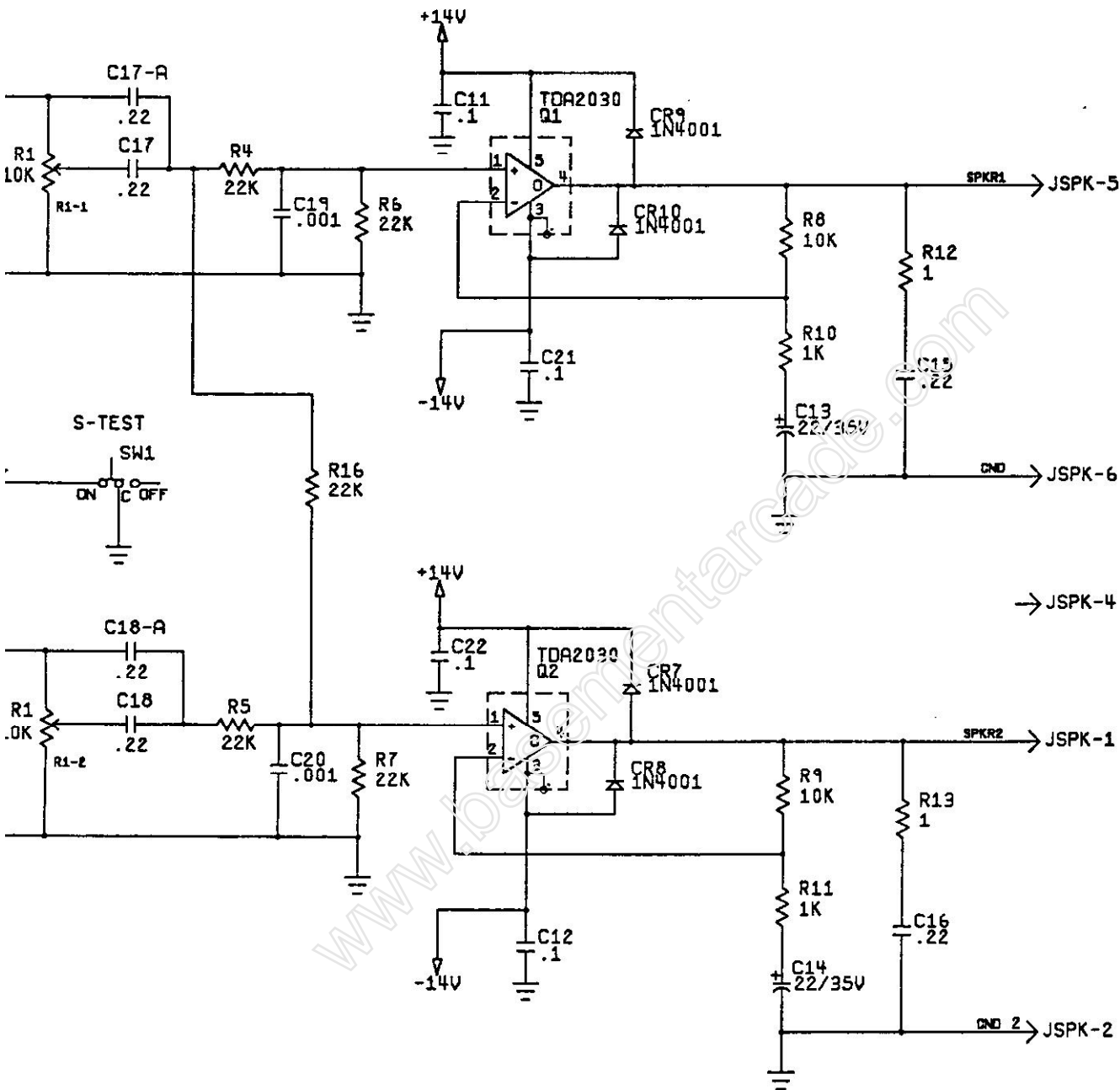
**Road Blasters™ /System I
Main Wiring Diagram**

SP-298 Sheet 18
1st printing

© 1987 Atari Games Corporation



NOTES:
SEE APPROPRIATE PARTS LIST FOR CORRECTIONS
USED FOR EACH DASH VERSION.



CT COMPONENTS

NOTICE TO ALL PERSONS RECEIVING THIS DRAWING

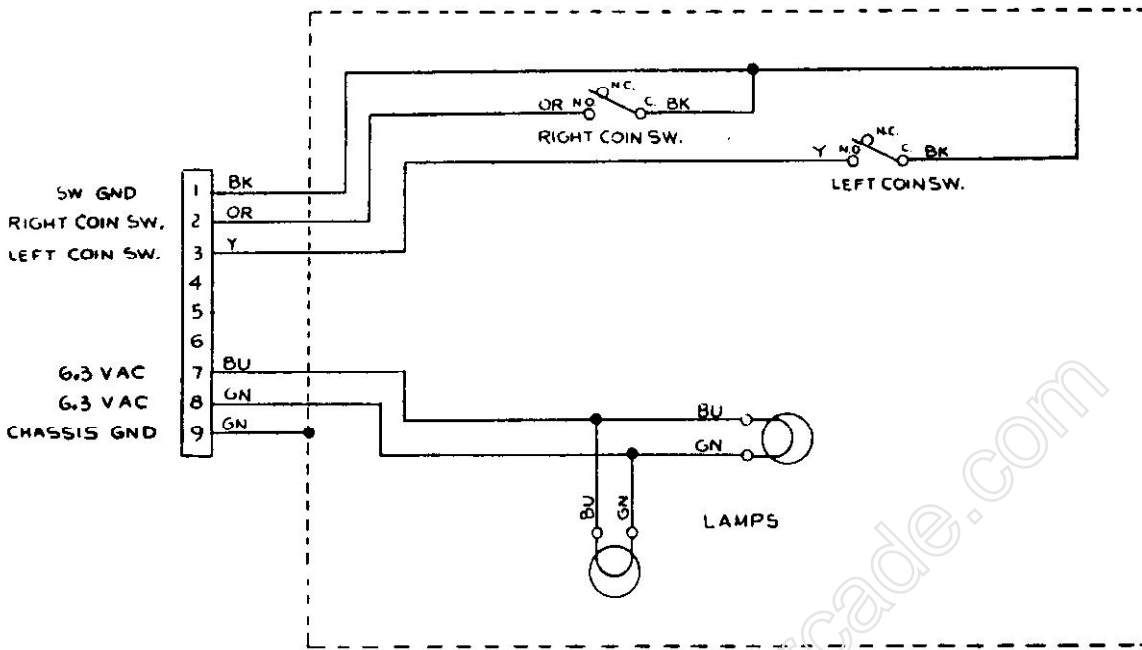
CONFIDENTIAL: Reproduction forbidden without the specific written permission of Atari Games Corporation, Milpitas, CA. This drawing is only conditionally issued, and neither receipt nor possession thereof confers or transfers any right in, or license to use, the subject matter of the drawing or any design or technical information shown thereon, nor any right to reproduce this drawing or any part thereof. Except for manufacture by vendors of Atari Games Corporation, and for manufacture under the corporation's written license, no right is granted to reproduce this drawing or the subject matter thereof, unless by written agreement with or written permission from the corporation.



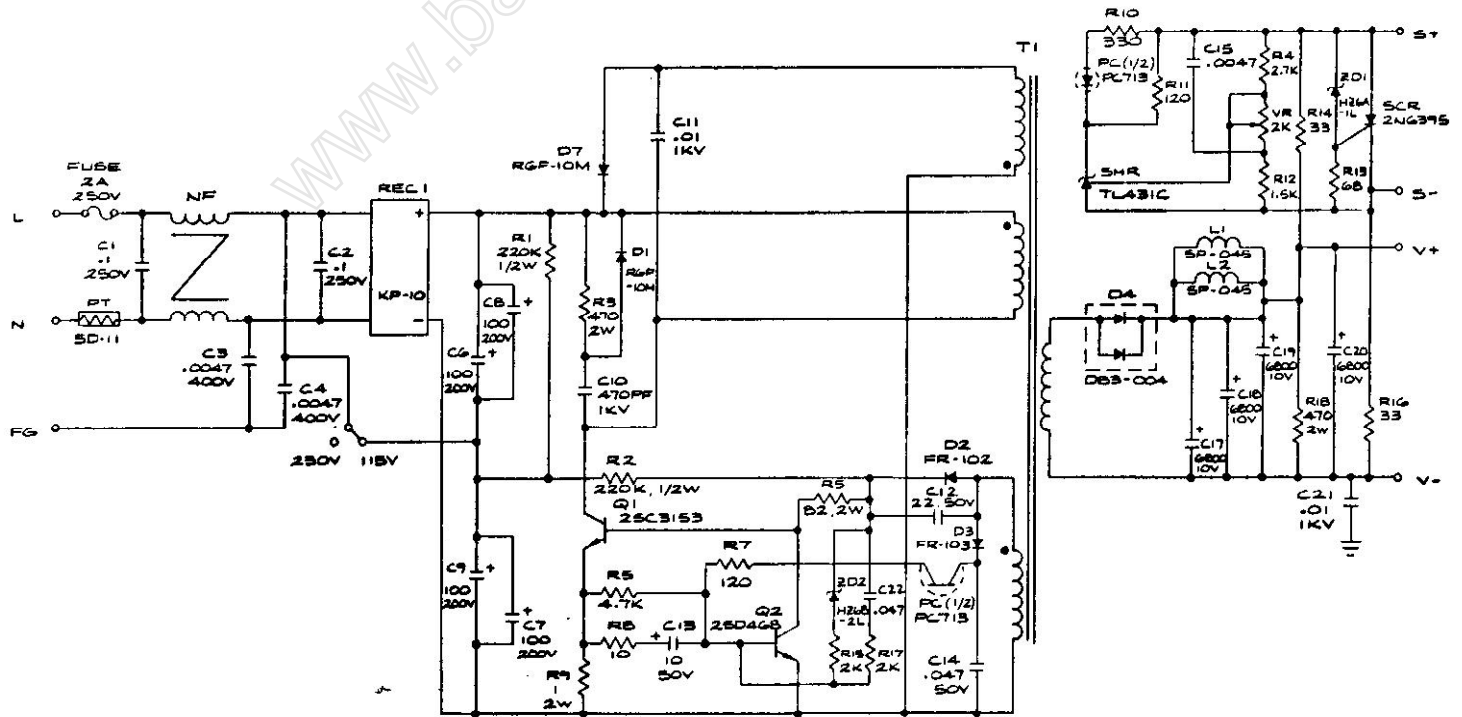
**Road Blasters™ Audio II
PCB Schematic Diagram**

© 1987 Atari Games Corporation

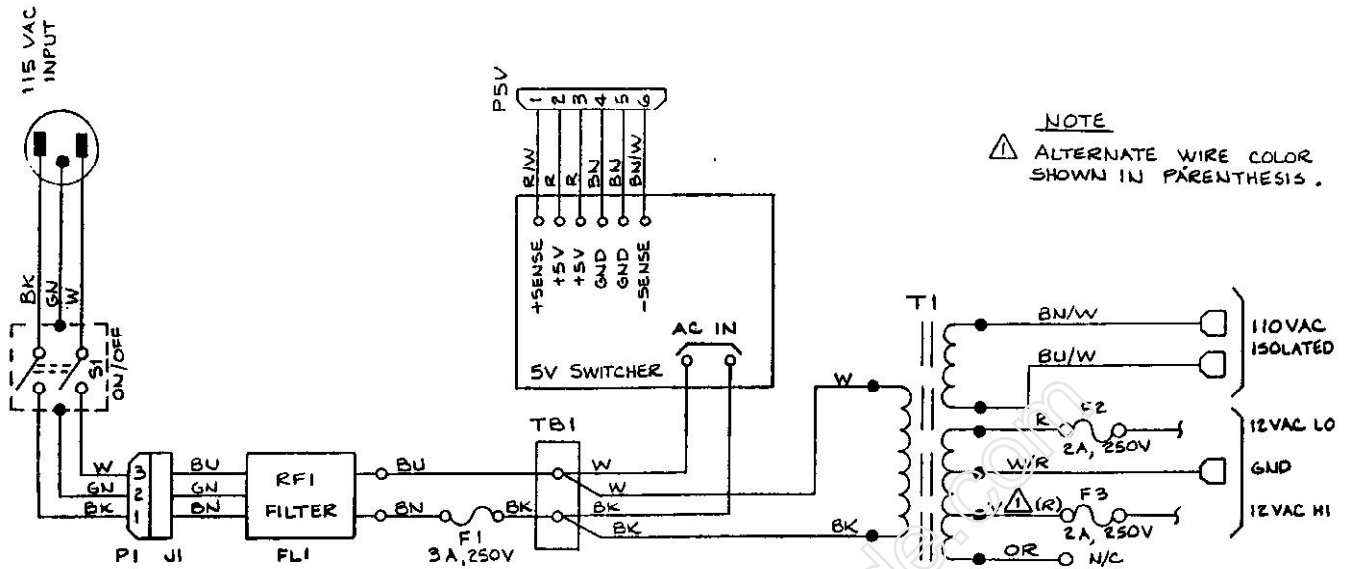
SP-298 Sheet 19
1st printing



Coin Door Wiring Diagram

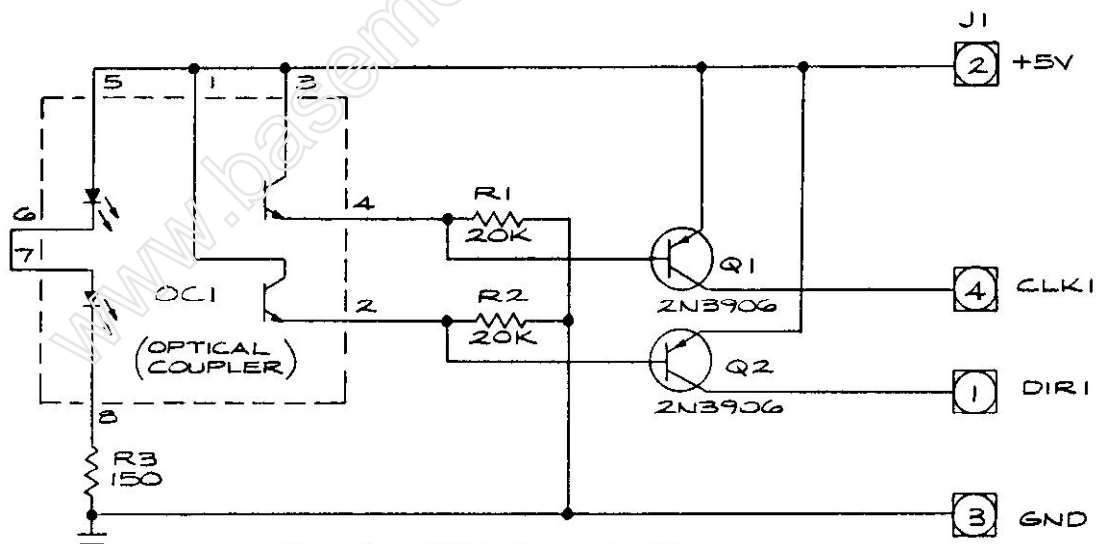


Phihong 5V, 10A Switching Power Supply Wiring Diagram



NOTE
 ⚠ ALTERNATE WIRE COLOR SHOWN IN PARENTHESES.

**Switching/Linear (SL) Power Supply
 Wiring Diagram**



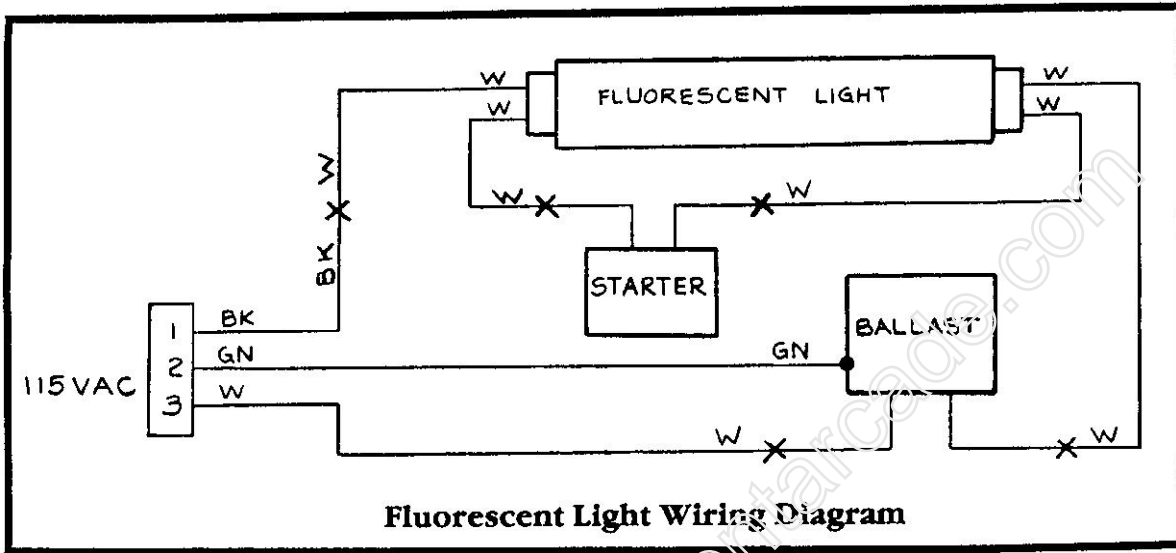
**Coupler PCB Schematic Diagram
 (Mounted on RTC Steering Control)**

NOTICE TO ALL PERSONS RECEIVING THIS DRAWING
 CONFIDENTIAL: Reproduction forbidden without the specific written permission of Atari Games Corporation, Milpitas, CA. This drawing is only conditionally issued, and neither receipt nor possession thereof confers or transfers any right in, or license to use, the subject matter of the drawing or any design or technical information shown thereon, nor any right to reproduce this drawing or any part thereof. Except for manufacture by vendors of Atari Games Corporation, and for manufacture under the corporation's written license, no right is granted to reproduce this drawing or the subject matter thereof, unless by written agreement with or written permission from the corporation.



**Wiring Diagrams for SL Power
 Supply, Coin Door, Phihong 5V 10A Power
 Supply, and Coupler PCB**

© 1987 Atari Games Corporation
 SP-298 Sheet 20
 1st printing



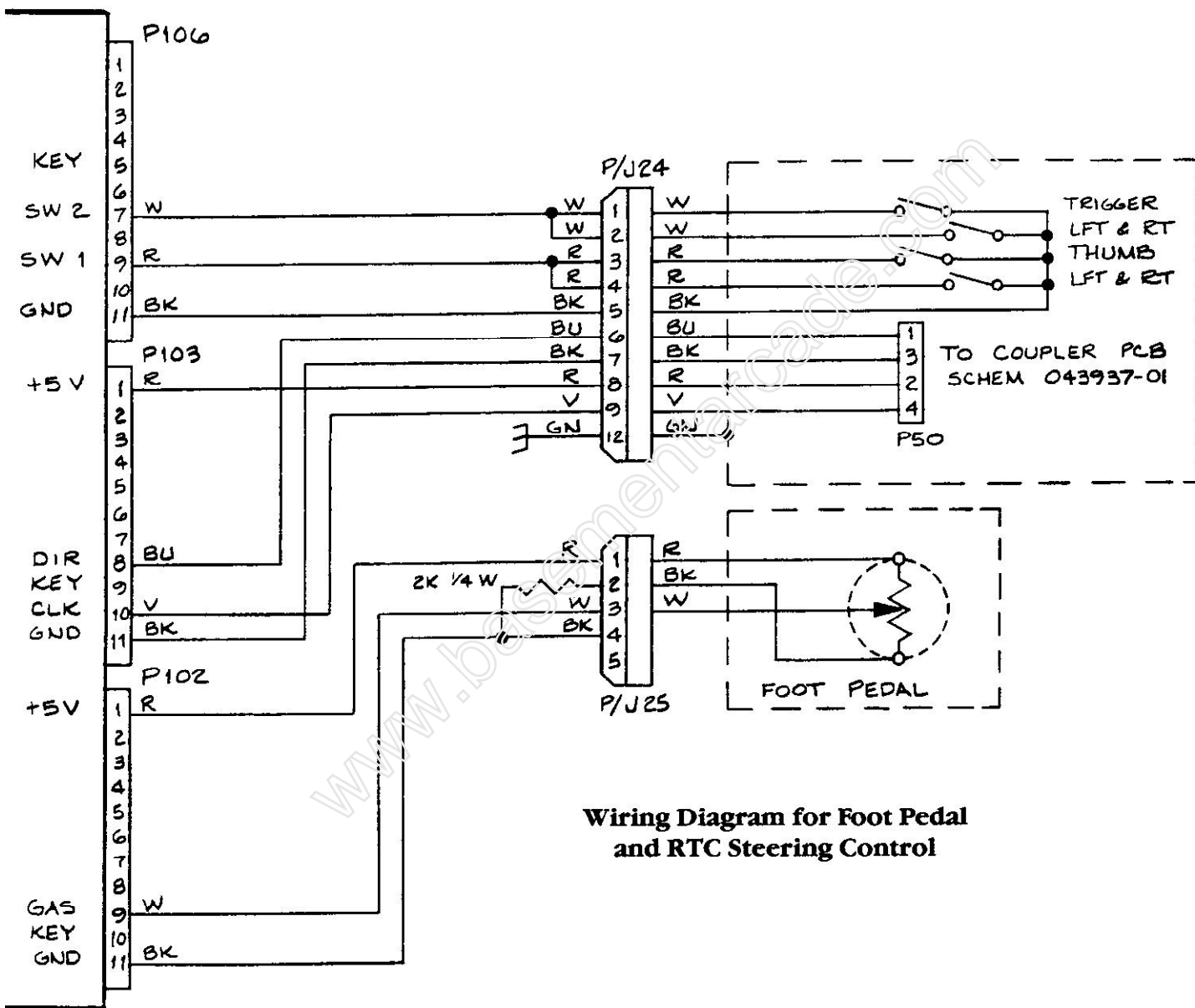
Fluorescent Light Wiring Diagram

(TRIGGER)

(THUMB)

SYSTEM I
TTL MAIN PCB
SCHEM 042854-XX

SYSTEM IA
LSI MAIN PCB
SCHEM 043096-XX



Wiring Diagram for Foot Pedal and RTC Steering Control

NOTICE TO ALL PERSONS RECEIVING THIS DRAWING

CONFIDENTIAL. Reproduction forbidden without the specific written permission of Atari Games Corporation, Milpitas, CA. This drawing is only conditionally issued, and neither receipt nor possession thereof confers or transfers any right in, or license to use, the subject matter of the drawing or any design or technical information shown thereon, nor any right to reproduce this drawing or any part thereof. Except for manufacture by vendors of Atari Games Corporation, and for manufacture under the corporation's written license, no right is granted to reproduce this drawing or the subject matter thereof, unless by written agreement with or written permission from the corporation.



Wiring Diagrams for Foot Pedal, RTC Steering Control and Fluorescent Light

© 1987 Atari Games Corporation

SP-298 Sheet 21
1st printing

Processor Memory Map

SIGNAL LINES								READ/ WRITE	DATA BUS SIGNAL LINES							
A7	A6	A5	A4	A3	A2	A1	A0		D7	D6	D5	D4	D3	D2	D1	D0
A	A	A	A	A	A	A	A	R/W	D	D	D	D	D	D	D	D
A	A	A	A	A	A	A	A	R/W	D	D	D	D	D	D	D	D
0	0	0	0	0	0	0	A	R/W	D	D	D	D	D	D	D	D
0	0	0	1	0	0	0	0	R	D	D	D	D	D	D	D	D
0	0	0	1	0	0	0	0	W	D	D	D	D	D	D	D	D
0	0	1	0	0	0	0	0	R	D							
0	0	0	1	0	0	0	0	R			D					
0	0	0	1	0	0	0	0	R				D				
0	0	0	1	0	0	0	0	R					D			
0	0	0	1	0	0	0	0	R						D		D
0	0	1	0	0	0	0	0	W								D
0	0	1	0	0	1	0	0	W								D
0	0	1	0	0	1	0	1	W								D
0	0	1	0	0	1	1	0	W								D
0	0	1	0	0	1	1	1	W								D
0	1	1	1	A	A	A	A	R/W	D	D	D	D	D	D	D	D
A	A	A	A	A	A	A	A	R	D	D	D	D	D	D	D	D

www.basementarcade.com

**NOTICE TO ALL PERSONS
RECEIVING THIS DRAWING**

CONFIDENTIAL: Reproduction forbidden without the specific written permission of Atari Games Corporation, Milpitas, CA. This drawing is only conditionally issued, and neither receipt nor possession thereof confers or transfers any right in, or license to use, the subject matter of the drawing or any design or technical information shown thereon, nor any right to reproduce this drawing or any part thereof. Except for manufacture by vendors of Atari Games Corporation, and for manufacture under the corporation's written license, no right is granted to reproduce this drawing or the subject matter thereof, unless by written agreement with or written permission from the corporation.



**Road Blasters™ I/O and Sound
Microprocessor Memory Map**

SP-298 Sheet 23
1st printing

© 1987 Atari Games Corporation

Table of Contents

Road Blasters™/System I LSI Main PCB Schematic Diagrams	Sheet 1-10
Road Blasters/System I LSI Cartridge 4 PCB Schematic Diagrams	Sheet 11-17
Road Blasters/System I Main Wiring Diagram	Sheet 18
Road Blasters Audio II PCB Schematic Diagram	Sheet 19
Wiring Diagrams for SL Power Supply, Coin Door, PhiHong 5V 10A Power Supply, and Coupler PCB	Sheet 20
Wiring Diagram for Foot Pedal, RTC Steering Control and Fluorescent Light	Sheet 21
Road Blasters Video Microprocessor Memory Map	Sheet 22
Road Blasters I/O and Sound Microprocessor Memory Map	Sheet 23

*If your game or kit has a *Cartridge 3* PCB Assembly, you can get a free copy of the schematic diagrams for that board from Atari Games Customer Service. Contact:

United States

Atari Games Corporation
California Customer Service Office
737 Sycamore Drive
P.O. Box 361110
Milpitas, CA 95035
Fax (408) 434-3945
Telex 5101007850


(Monday-Friday, 7:30-4:00 pm Pacific Time)

 **(408) 434-3950**

Europe

Atari Games Ireland Limited
European Customer Service Office
Tipperary Town, Ireland
Fax 062-51702
Telex 28165

(Monday-Friday, 9:00-5:30 pm GMT)

 **062-52155**